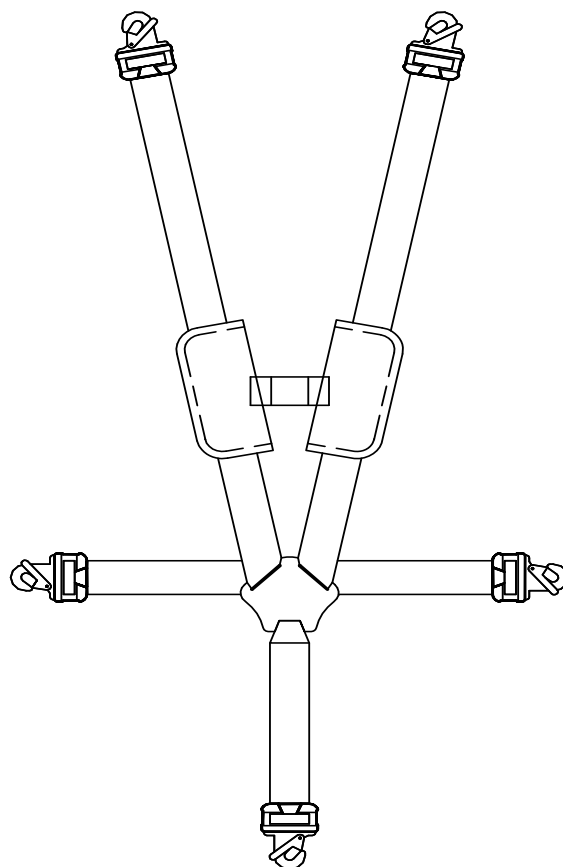




## MIRAGE SWING SEAT HARNESS

CODE No:- 88020701

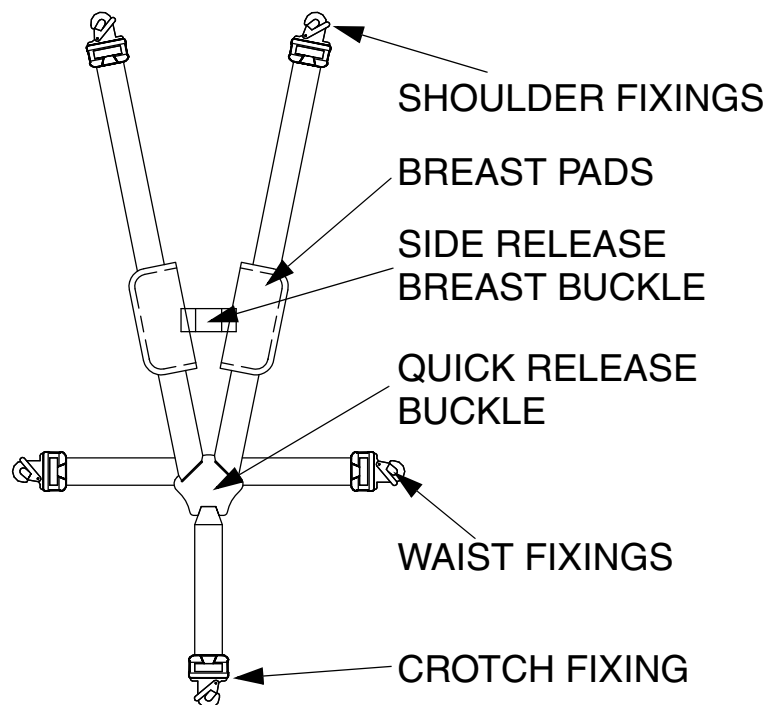


NO PART OF THIS MANUAL OR DOCUMENT MAY BE COPIED OR RE-PRODUCED IN ANY FORM OR BY ANY MEANS WITH OUT THE EXPRESS WRITTEN PERMISSION OF SMP (PLAYGROUNDS) LTD.

email: [sales@smp.co.uk](mailto:sales@smp.co.uk)  
[www.smp.co.uk](http://www.smp.co.uk)

## 1 SEAT HARNESS COMPONENTS

- 1) All 5 fixings at shoulder, waist and crotch have a sprung safety lever to stop accidental removal when attached to the seat anchor points.
- 2) The quick release buckle allows removal from the harness without having to unclip all 5 fixings.



## 2 LIMITATIONS OF USE

This seat harness is to be used on the Mirage swing seat manufactured by SMP (Playgrounds) Ltd. only.

## 3 INSTRUCTIONS OF USE

- 1) **Users with a seat harness must be supervised at all times.**
- 2) Prior to fitting the seat harness familiarise yourself with its layout and adjustment.
- 3) It is possible to fit the seat harness to the seat prior to the user sitting in place or afterwards depending on personal preferences. If the seat harness is attached to the seat prior to the user, the central quick release buckle will need to be opened to allow the straps to be wrapped around and secured in place. If the seat harness is fitted to the seat after the user it may be left in one piece, being then wrapped around the user and the free ends attached to the seat connection bars. In either case please check the security of the user with the seat harness as follows.
  - i) The seat harness is securely attached, and locked, to all five seat connection points.
  - ii) The shoulder connection point should be selected to suit the size of the user to ensure the greatest security. For smaller users in particular a connection point at approximately ear level is recommended to help prevent the seat harness from slipping over the user's shoulder during intensive use of the seat.
  - iii) The chest buckle is connected and secure with the chest pads sitting comfortably on the users chest to stop the shoulder straps from slipping down
  - iv) The central quick release buckle is connected and secure.
  - v) It has been adjusted for maximum support and comfort, with the persons upper body held firmly against the back of the swing seat and with the buckle sitting just on the stomach.
- 4) For emergency release of the user depress the red button on the quick release buckle.

**NOTE: Always remove the seat harness from seat after use.**

## 4 AFTERCARE

- 1) Regularly inspect the parts for damage, wear or malfunction. If any problems are identified, replace immediately.
- 2) All webbing components can be cleaned using warm soapy water and a clean soft cloth. Rinse with clean water and allow to dry. Care should be taken to prevent contamination of the webbing with oils or chemicals.
- 3) To disinfect use a mild spray disinfectant. **Do not use products containing bleach.**
- 4) When cleaning or disinfecting, do not immerse the buckle or snap hooks in disinfectants or water.