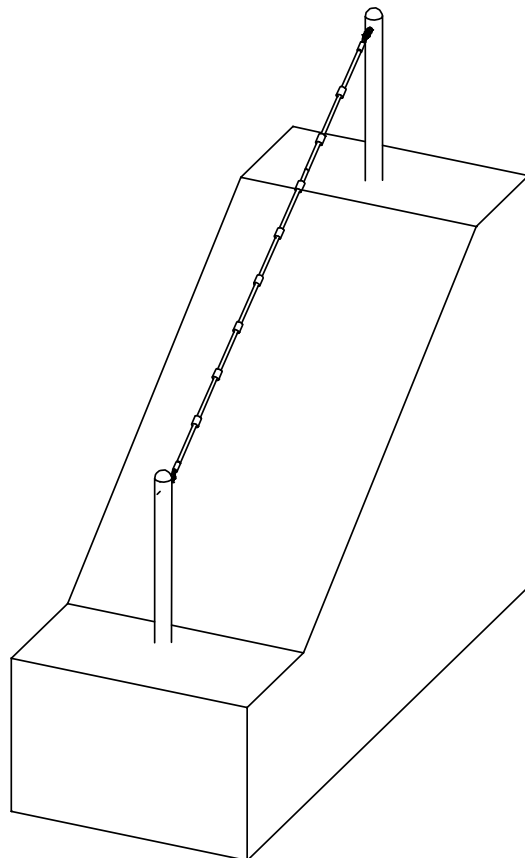




INSTALLATION INSTRUCTIONS

PULL UP ROPE

PCPUR-15



INTENTIONALLY LEFT BLANK

1 SPECIFICATIONS

REFERENCE		PCPUR-15
WEIGHT	kg	14.1
HEAVIEST PART	kg	10
LARGEST PART LxWxH	m	1.7 x 88.9 x 88.9
CONCRETE	m ³	0.14
MAX FREEFALL HEIGHT	m	0.98
MANHOURS	hr	2
MANPOWER		2
CONSTRUCTIONAL SPACE	m	5.00 x 3.00

Should this item be installed with a natural grass surface. We recommend the consideration of an erosion protection system.

The concrete foundations indicated are for average ground. Care should be taken concerning abnormal conditions.

Concrete mix is recommended at:

1 part cement;
2 parts sand;
4 parts aggregate;
by volume with 20mm aggregate
(20N/mm² min compressive strength)

2 PARTS LIST

ITEM	CODE	DESCRIPTION	QTY	WEIGHT (kg)
1	31001001	POST	2	10
2	31001002	ROPE 1.5	1	4
3	15715000	COUPLING LINK 5mm	2	0.100

3 INSTALLATION & ASSY PROCEDURES

3.1 SAFE WORKING PRACTISE

A full risk assessment should be carried out prior to commencing the installation, which will be specific to the site selected. The major risks associated with purely the assembly of this product are highlighted below, which can form part of this overall assessment.

3.2 RISKS:

- i) Large parts which could be difficult to lift or handle.
- ii) Structure unstable until concrete footings have fully cured.

3.3 CONTROL MEASURES:

- i) All staff working on installation to wear suitable PPE including Toe Protective Shoes, and Gloves.
- ii) Any staff or other persons on site, not working directly on the installation, to be kept away from the installation. Ensure adequate personal and equipment are on site to handle and support the structure whilst it is being assembled.

3.4 PREPARATION

- i) All equipment assembly and fixing must conform to EN1176.
- ii) Before commencing the installation the surrounding area must be sufficiently fenced and signs erected to warn the public of the risk of injury.

Tools: Plumblines, 5m Tape measure, Spirit level,

Minimum Personal Protective Equipment: Gloves, Armoured boots.

3.5 PRE-INSTALLATION INSPECTION

- i) Inspect all parts for damage (which may have occurred during transportation & storage). Finish Coatings, if found to be damaged should be made good before erection. Any damaged or missing parts must be replaced. To ensure the required hole threads are free from contamination it is recommended that they are brushed out and/or tapped out, to save time during erection.
- i) Before commencing installation, the surrounding area must be sufficiently fenced and signs erected to warn the public of the risk of injury.

3.6 INSTALLATION

- ii) Mark out foundations and excavate holes. (refer to site plan for unit location) See FIG.1, 2 or 3 for concrete positions.

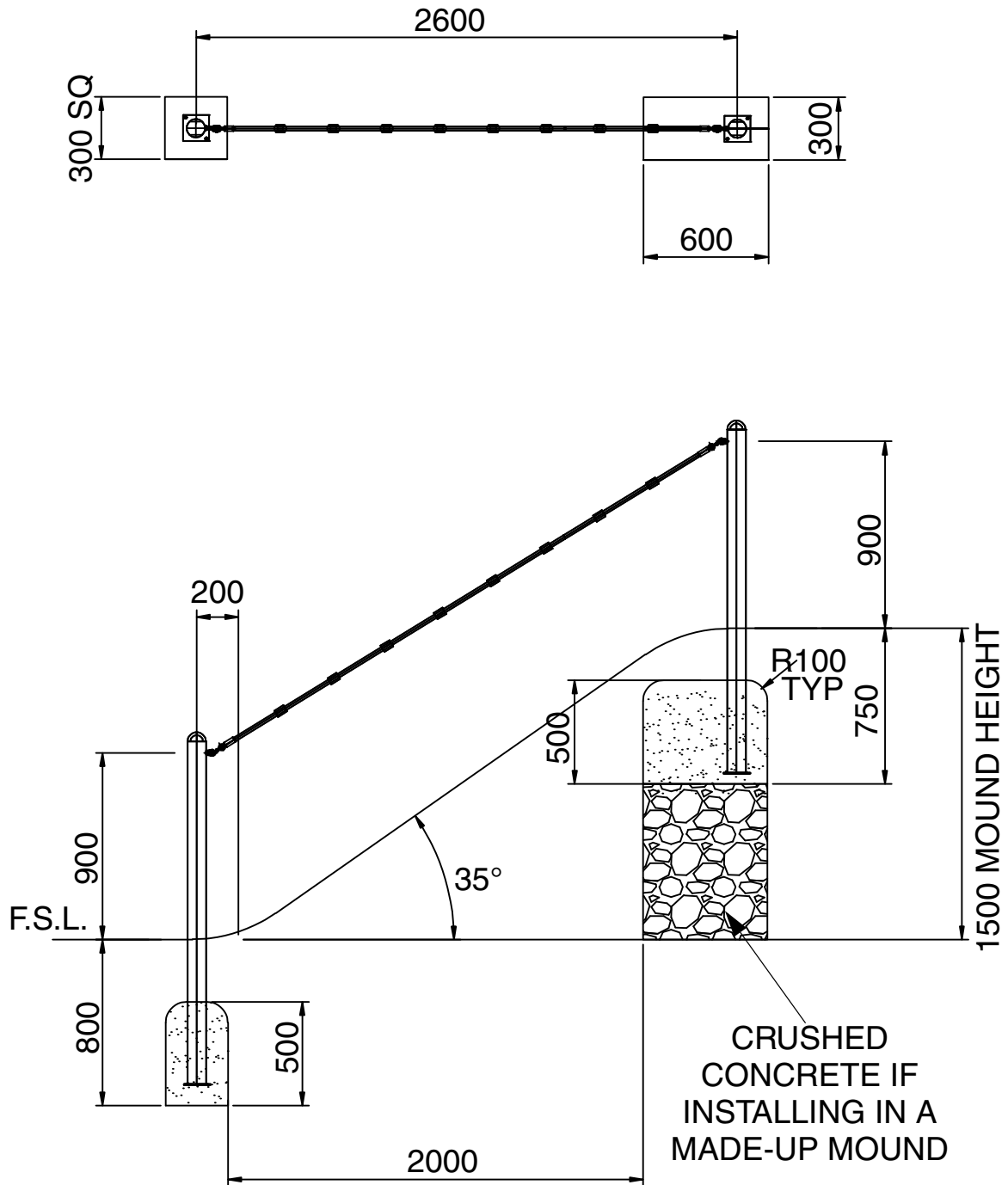


FIG.1 GRASS INSTALLATION

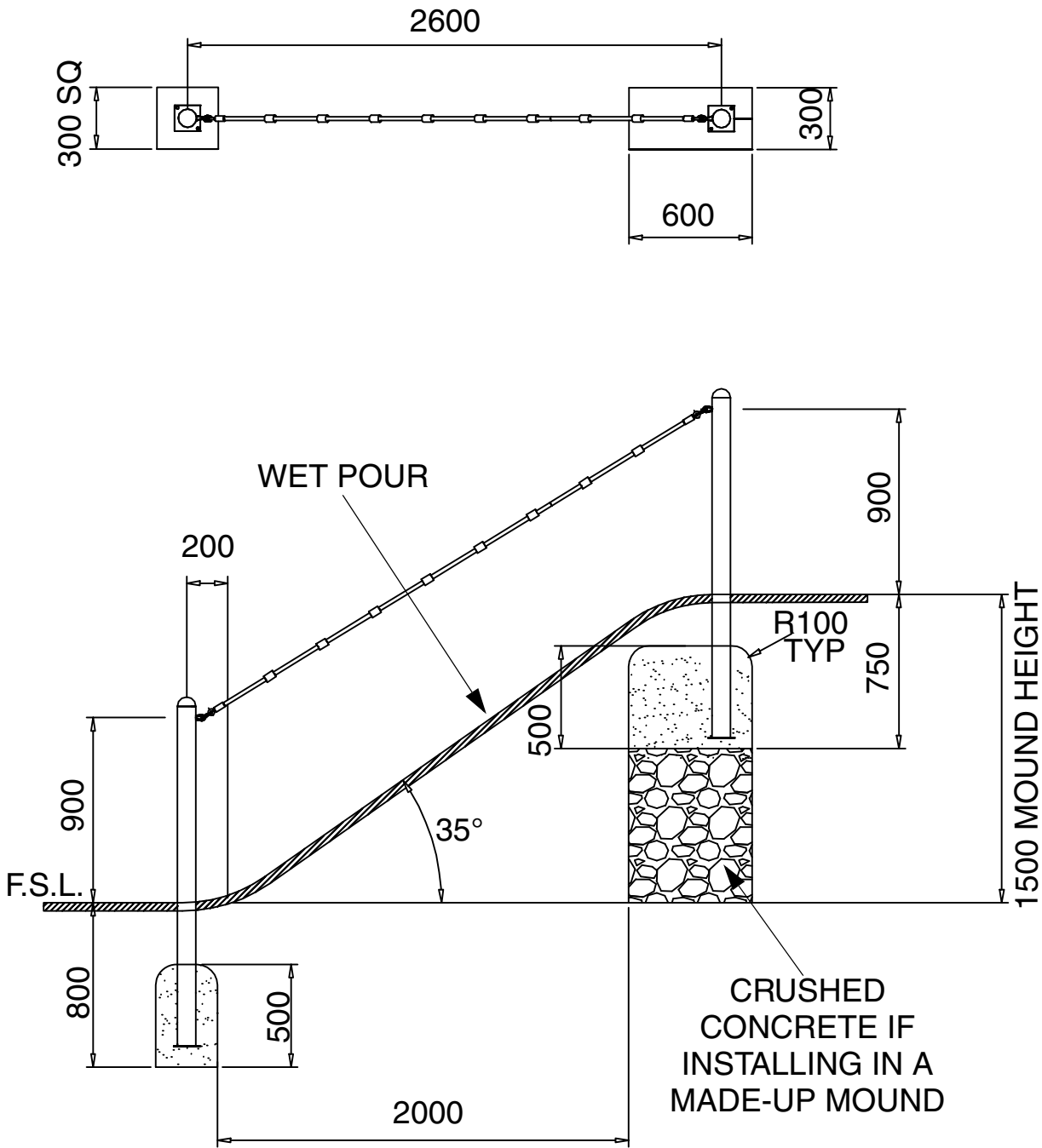


FIG.2 WET POUR INSTALLATION

- iii) Place Rope Climber posts into excavation, pack up to required height
- iv) Check that the support posts are plumb and at correct height, centres and the eyebolts face in the correct direction. (Towards each other)
- v) Fill holes with concrete ensure full volume of concrete is used. The top of the concrete should gradually (1:100) slope down & outwards locally from the equipment frame to the required level to form a water shed. Allowance should be made for any special surfacing.
- vi) Keep installation off limits to the public until concrete has completely cured. (Recommended initial curing time 48hrs).
- vii) After concrete has completely cured attach Rope 1.5 (item 2) to Posts (item 1) using 2 off coupling links (item 3). See FIG.5.

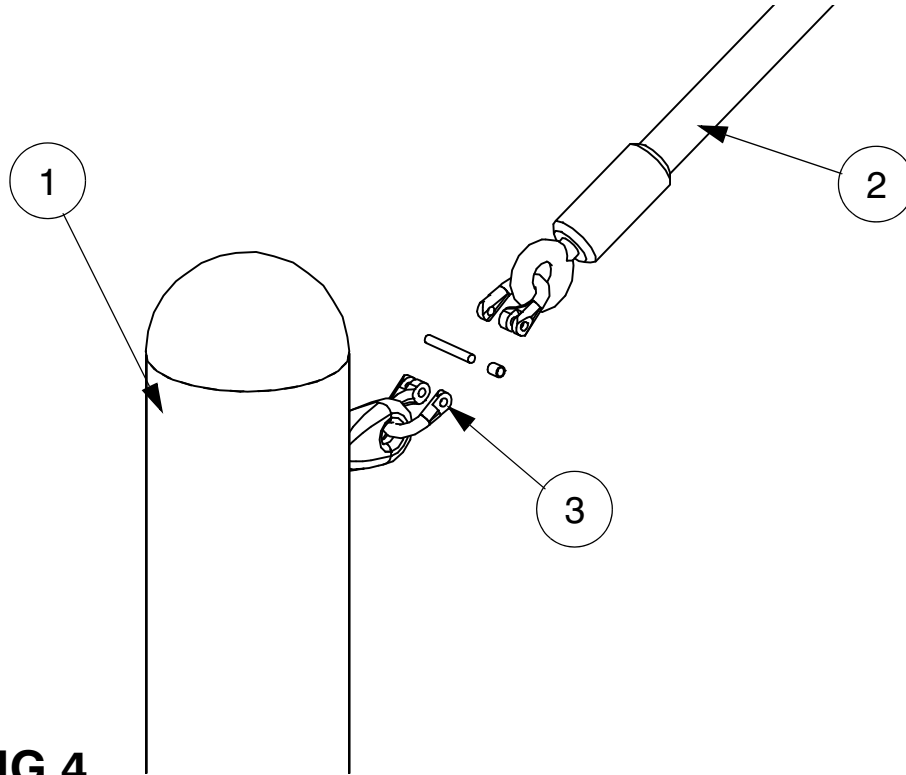


FIG.4

4 POST INSTALLATION INSPECTION

CHECK	TICK	✓
1 The unit is installed at the correct height.	<input type="checkbox"/>	<input type="checkbox"/>
2 All fixings are tightened and have no protruding sharp edges.	<input type="checkbox"/>	<input type="checkbox"/>
3 Paint work and rope is not damaged.	<input type="checkbox"/>	<input type="checkbox"/>
4 Concrete foundations & all fixings are secure.	<input type="checkbox"/>	<input type="checkbox"/>
5 Concrete has a water shed away from legs.	<input type="checkbox"/>	<input type="checkbox"/>
6 Site is clear of all tools, any assembly aids and rubbish.	<input type="checkbox"/>	<input type="checkbox"/>
7 Remove any warning signs.	<input type="checkbox"/>	<input type="checkbox"/>