



INSTALLATION INSTRUCTIONS
ESCAPADE CLIMBING BOULDER
ESCA/B01



NO PART OF THIS MANUAL OR DOCUMENT MAY BE COPIED OR RE-PRODUCED IN ANY FORM OR BY ANY MEANS WITH OUT THE EXPRESS WRITTEN PERMISSION OF SMP (PLAYGROUNDS) LTD.

email: sales@smp.co.uk
www.smp.co.uk

INTENTIONALLY LEFT BLANK

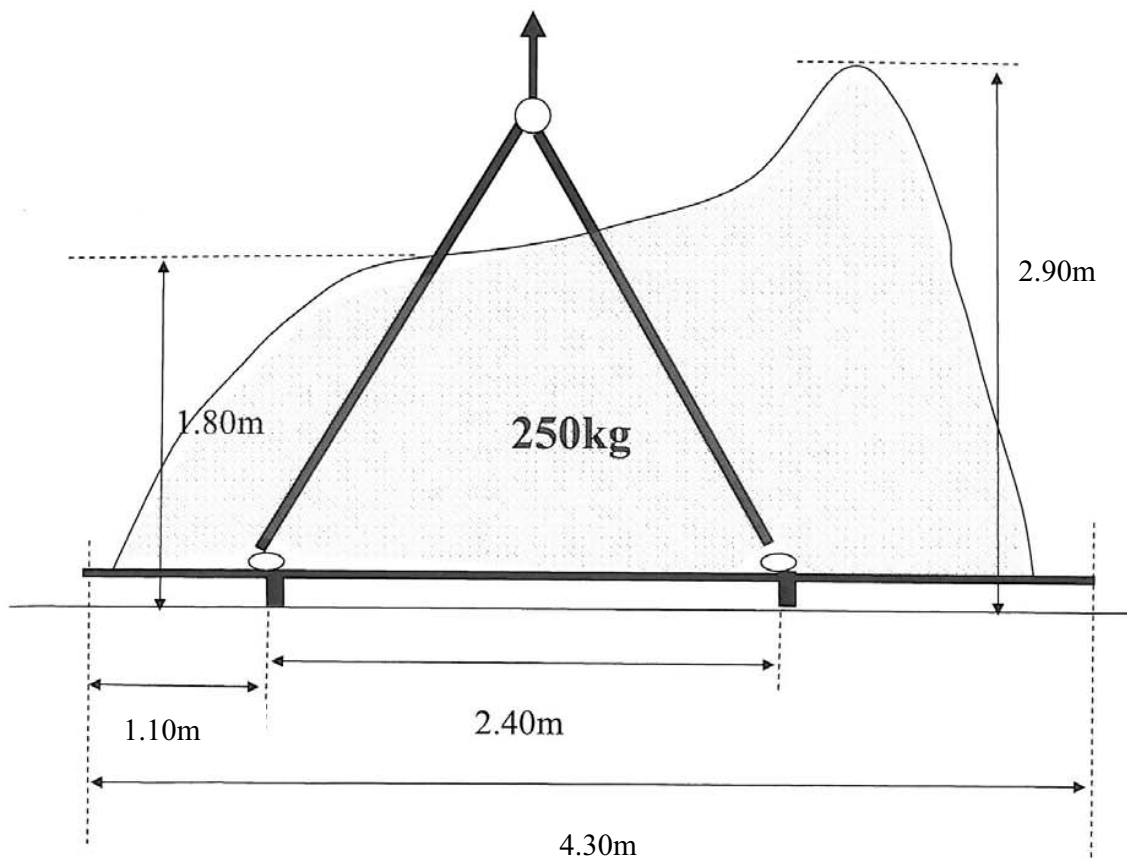
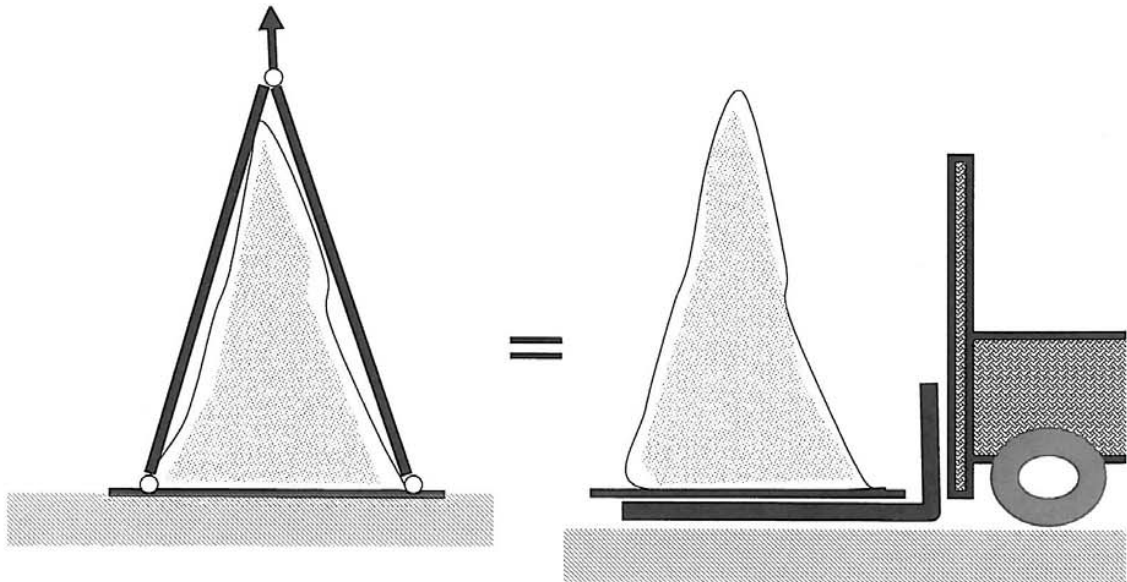
PROCEDURES.

1 SAFE WORKING PRACTISE

A full risk assessment should be carried out prior to commencing the installation, which will be specific to the site selected. The major risks associated with purely the handling and fixing of this product are highlighted below, which can form part of this overall assessment.

1.1 RISKS

- i) Large parts which could be difficult to lift or handle.



1.2 CONTROL MEASURES

- i) All staff working on installation to wear suitable PPE including Toe Protective Shoes, Hard hat and Gloves.
- ii) Any staff or other persons on site, not working directly on the installation, to be kept away from the installation.
- iii) Ensure adequate personal and equipment are on site to handle and support the structure whilst it is being assembled.
- iv) Suitable lifting equipment should be available.

2 SPECIFICATIONS

REFERENCE		ESCA/B01
OVERALL HEIGHT (H)	m	2.80
OVERALL LENGTH (L)	m	4.30
OVERALL WIDTH (W)	m	1.80
OVERALL WEIGHT	kg	250.0
CONCRETE	m ³	0.22
MINIMUM SPACE L x W x H	m	9.00 x 6.70 x 4.30
FALLING SPACE AREA	m ²	55.4
IMPACT AREA (WET POUR)	m ²	56.5
LOOSE FILL AREA (SAND/BARK)	m ²	57.2
MANHOURS	hr	16
MANPOWER		2
CONSTRUCTIONAL SPACE	m	**
MAXIMUM FREE FALL HEIGHT	m	2.70*

*Allowing for 100mm thickness of surface. Thicker surfaces will reduce this figure further.

** Constructional Space to be sufficient to allow access for suitable lifting equipment for the Boulder

Concrete mix is recommended at:
 1 part cement;
 2 parts sand;
 4 parts aggregate;
 by volume with 20mm aggregate
 (20 N/mm² min compressive strength)

SMP Playgrounds Ltd. recommends an effective *Impact Absorbing Surface tested to EN1177 & BS7188* beneath this item of play equipment. Refer to manufacturers instructions for details of installation. The surface should have a Critical Fall Height greater than the Maximum Freefall Height of the equipment.

For the safe operation of this equipment it must be installed on horizontal ground with the required minimum space.

If a loose fill surface is selected for this item it will require maintenance to ensure a sufficient thickness is in place at all times to provide 'critical fall height' protection.

The concrete foundations indicated are for average ground. Care should be taken concerning abnormal conditions.

3 PREPARATION

All equipment assembly and fixings must conform to EN1176.

Before commencing the installation the surrounding area must be sufficiently fenced and signs erected to warn the public of the risk of injury.

Tools/ancillary equipment:Plumbline, 10m tape measure, Spirit level, 24mm A/F Socket, Torque wrench.

Minimum Personal Protective Equipment:- Hard hat, Gloves, Armoured boots, Goggles.

3.1 ESTABLISH ORIENTATION

- i) See Specifications for equipments 'Minimum space'.
- ii) Measure out the site to ensure the space required fits into the allotted area, it is horizontal and free from trip points or other obstructions.
- iii) Ensure the equipment is to be provided with an effective Impact Absorbing Surface which has a tested critical fall height rating greater than the maximum freefall height of the equipment.

3.2 MARK OUT HOLES

Consult SMP layout drawing for structure position on site.

See FIG.1 & 2 for concrete foundation spacings.

NOTE: This is a minimum guide only.

3.3 ESTABLISH DATUM LEVEL

- i) If a rubber tiled Impact Absorbing surface is to be laid, see separate instructions (base may incorporate up to 2% falls etc.).
- ii) If equipment is to sit in loose fill or wet pour rubber surfaces allowances will need to be made for its recommended thickness. (See chart for Max Freefall Height). With certain loose fill materials, a greater thickness than 300mm may be required. This will need to be determined by allowing 100mm for dispersal in addition to the thickness required for the freefall height of the unit.

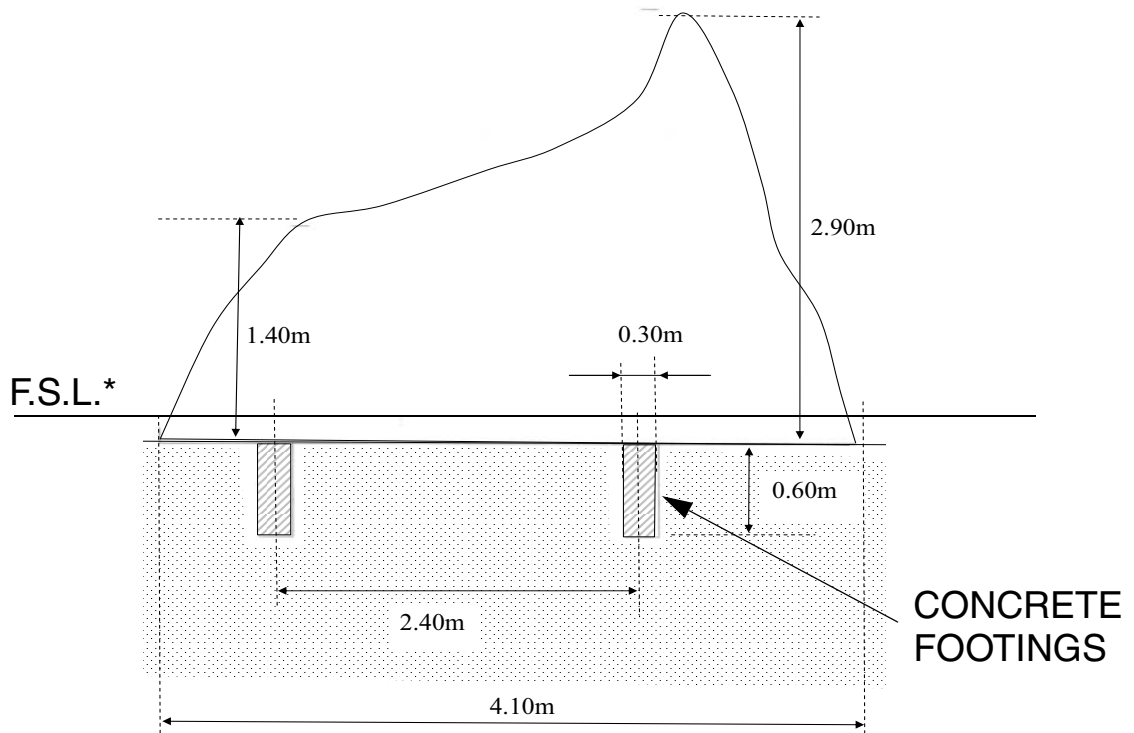
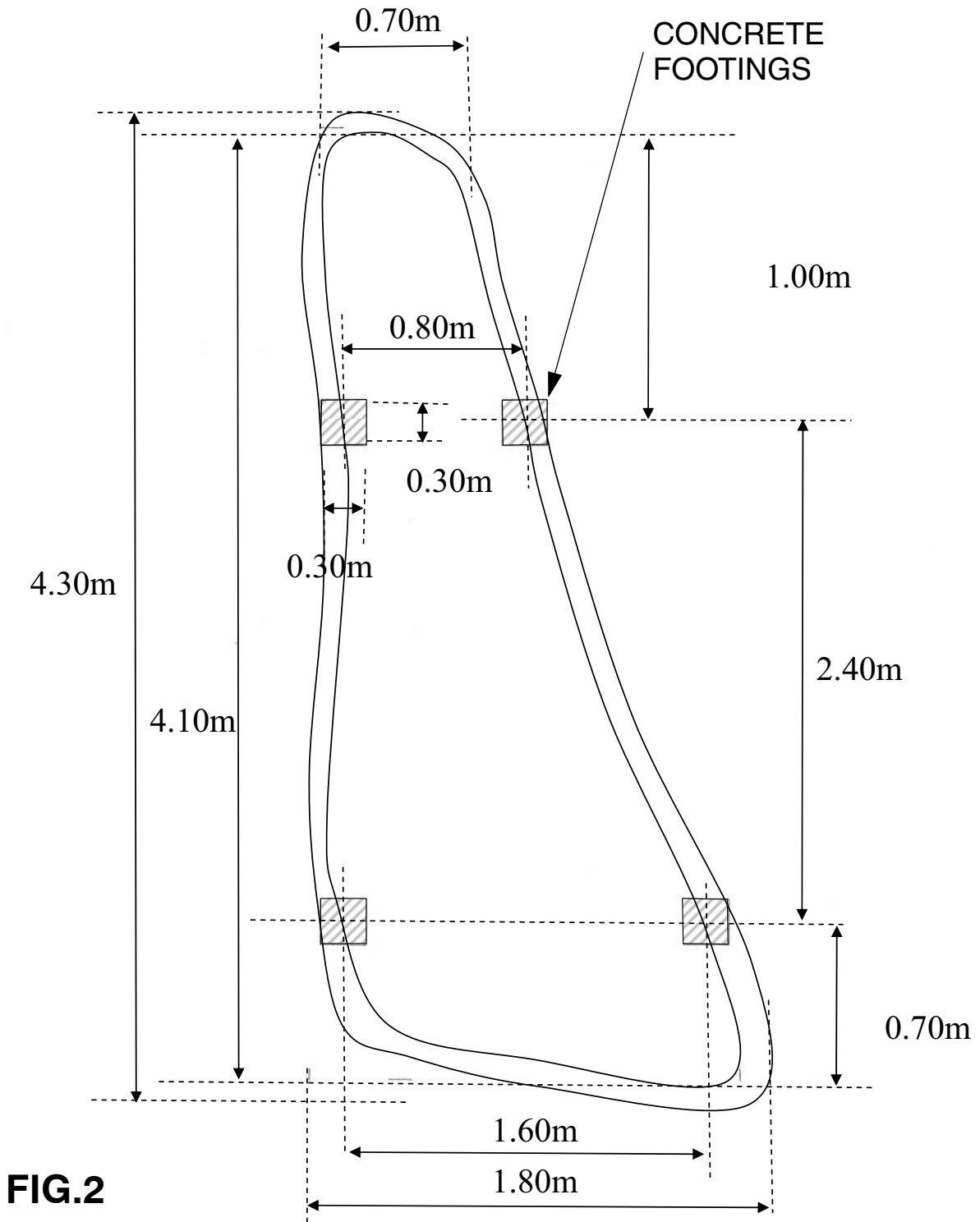


FIG.1

NOTE: * This will be the top of the selected surface and will vary in relation to the overall height depending on the thickness.



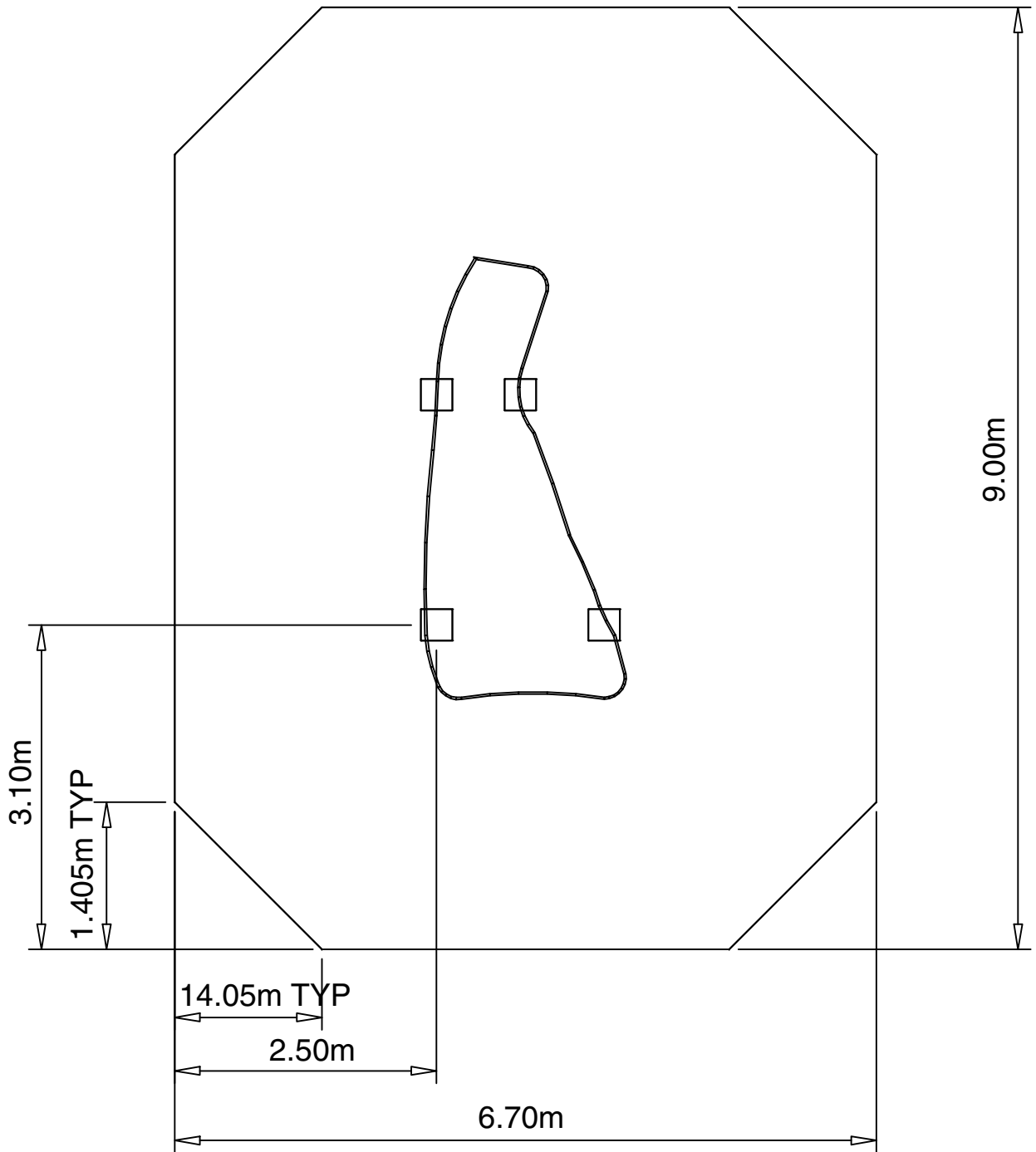


FIG.3

WET POUR AREA

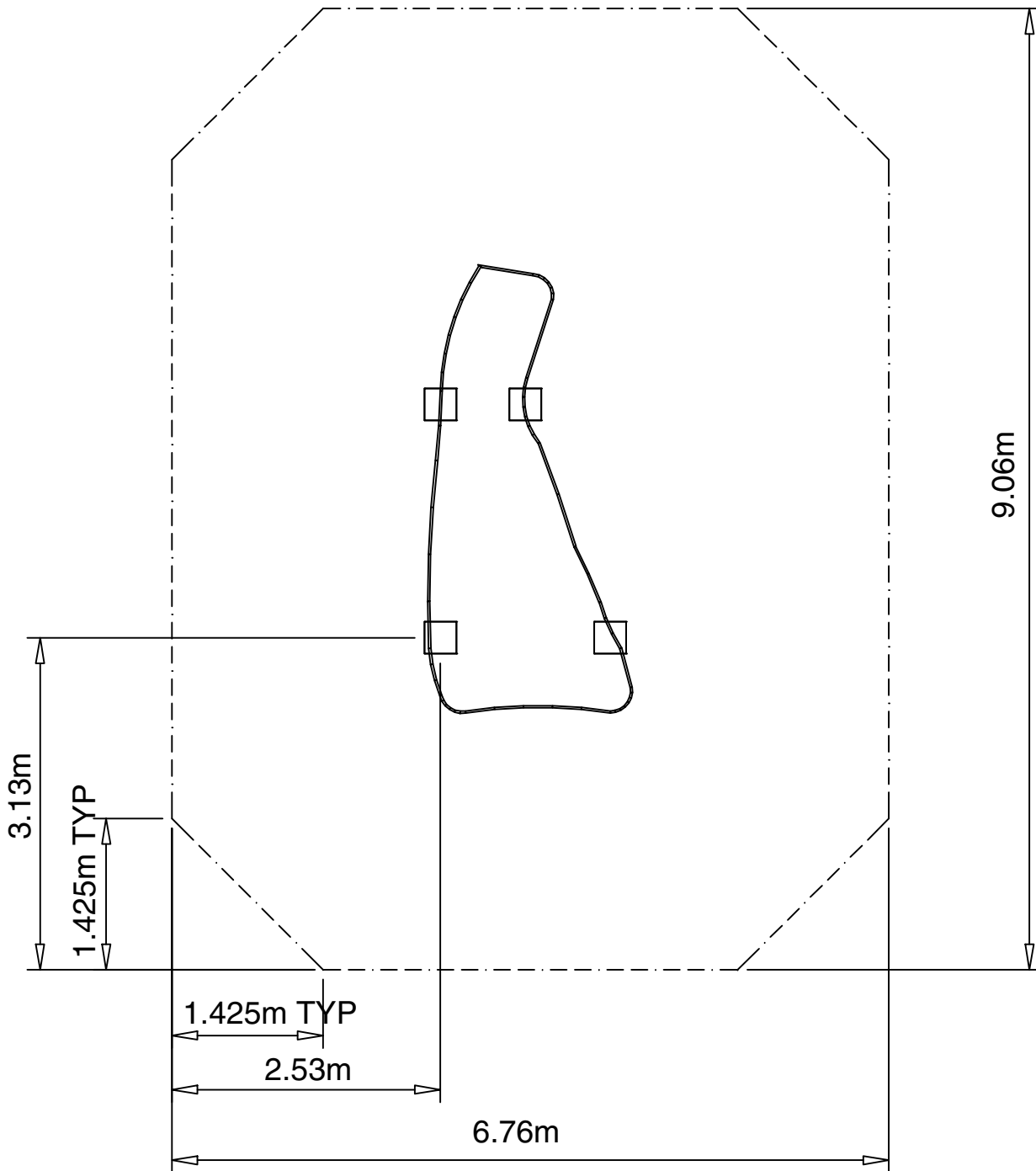


FIG.4

LOOSE FILL AREA

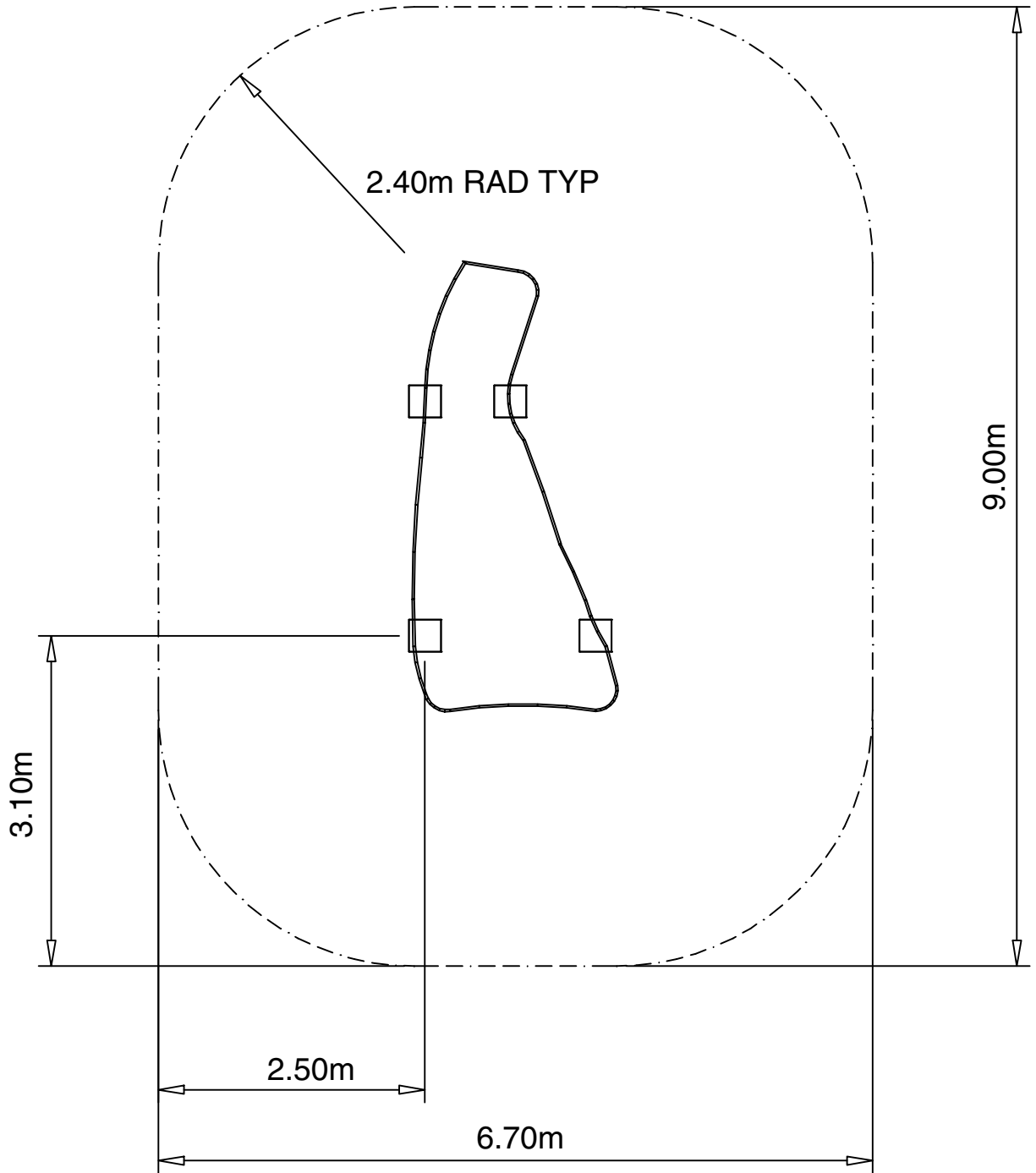


FIG.5

FALLING SPACE

4 INSTALLATION TO CONCRETE FOOTINGS

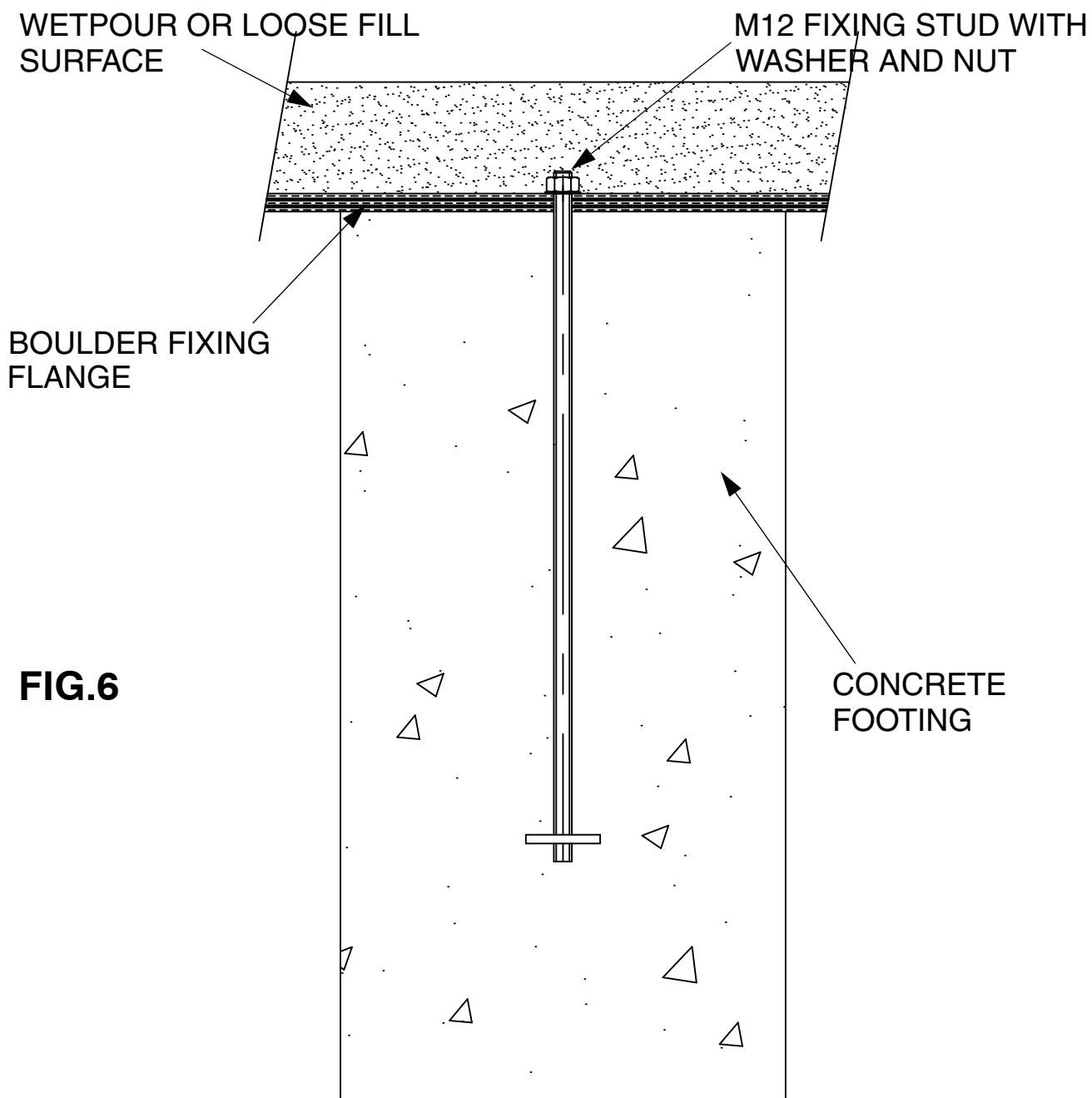


FIG.6

NOTE: In a Loose Fill surface it is recommended that any protruding thread is removed, along with any sharp edges.

5 POST INSTALLATION INSPECTION

CHECK	TICK
1 All fixings are fully tightened and have no protruding sharp edges.	<input checked="" type="checkbox"/>
2 Concrete foundations are secure.	<input type="checkbox"/>
3 Adequate provision of impact absorbing surfacing and no trip points within the minimum space.	<input type="checkbox"/>
4 Ensure that the Telescope can rotate and tip with some resistance.	<input type="checkbox"/>
5 Site is clear of all tools and rubbish.	<input type="checkbox"/>
6 Remove any warning signs.	<input type="checkbox"/>

INTENTIONALLY LEFT BLANK