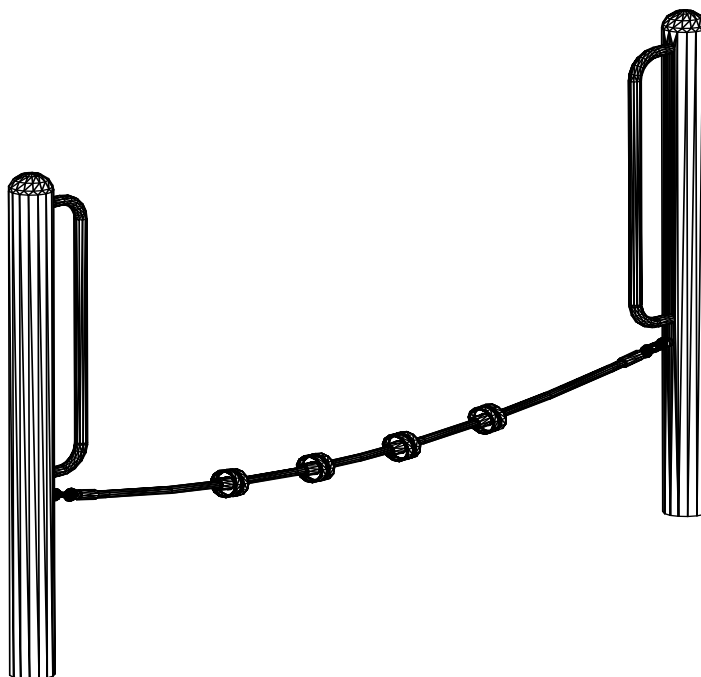




INSTALLATION INSTRUCTIONS

ROPE WALK

PCRWK, PCRWKE



INTENTIONALLY LEFT BLANK

1 SPECIFICATIONS

REFERENCE		STANDARD	LOOSE FILL
		PCRWK	PCRWKE
OVERALL HEIGHT (H1)	m	1.400	
EXCAVATION DEPTH (d1)	m	0.550	
OVERALL LENGTH (L) **	m	1.900	
ROPE SETTING HEIGHT (H2)	m	0.350	
WEIGHT	kg	29.000	35.000
HEAVIEST PART	kg	13.000	16.000
LARGEST PART LxWxH	m	1.850 X 0.200 X 0.260	2.150 X 0.200 X 0.260
CONCRETE	m ³	0.100	
MINIMUM SPACE LxWxH	m	5.00 X 3.22 X 2.95	
MAX FREEFALL HEIGHT	m	0.450	
FALLING SPACE AREA	m ²	13.75	
IMPACT AREA (WET POUR)	m ²	8	
IMPACT AREA PCC EDGE	m	11.25	
LOOSE FILL AREA (SAND/BARK)	m ²		14.75
LOOSE FILL AREA EDGE	m		14.75
RUBBER TILES 1m x 1m		10	
RUBBER TILES PCC EDGE	m	13.5	
MANHOURS	hr	3	
MANPOWER		2	
CONSTRUCTIONAL SPACE	m	3 X 3	

NOTE: ** Dimension L is important to achieve the rope setting height H2 and should be as accurate as possible on installation.

NOTE: All dimensions in metres.

Concrete mix is recommended at:
 1 part cement;
 2 parts sand;
 4 parts aggregate;
 by volume with 20mm aggregate
 (20 N/mm² min compressive strength)

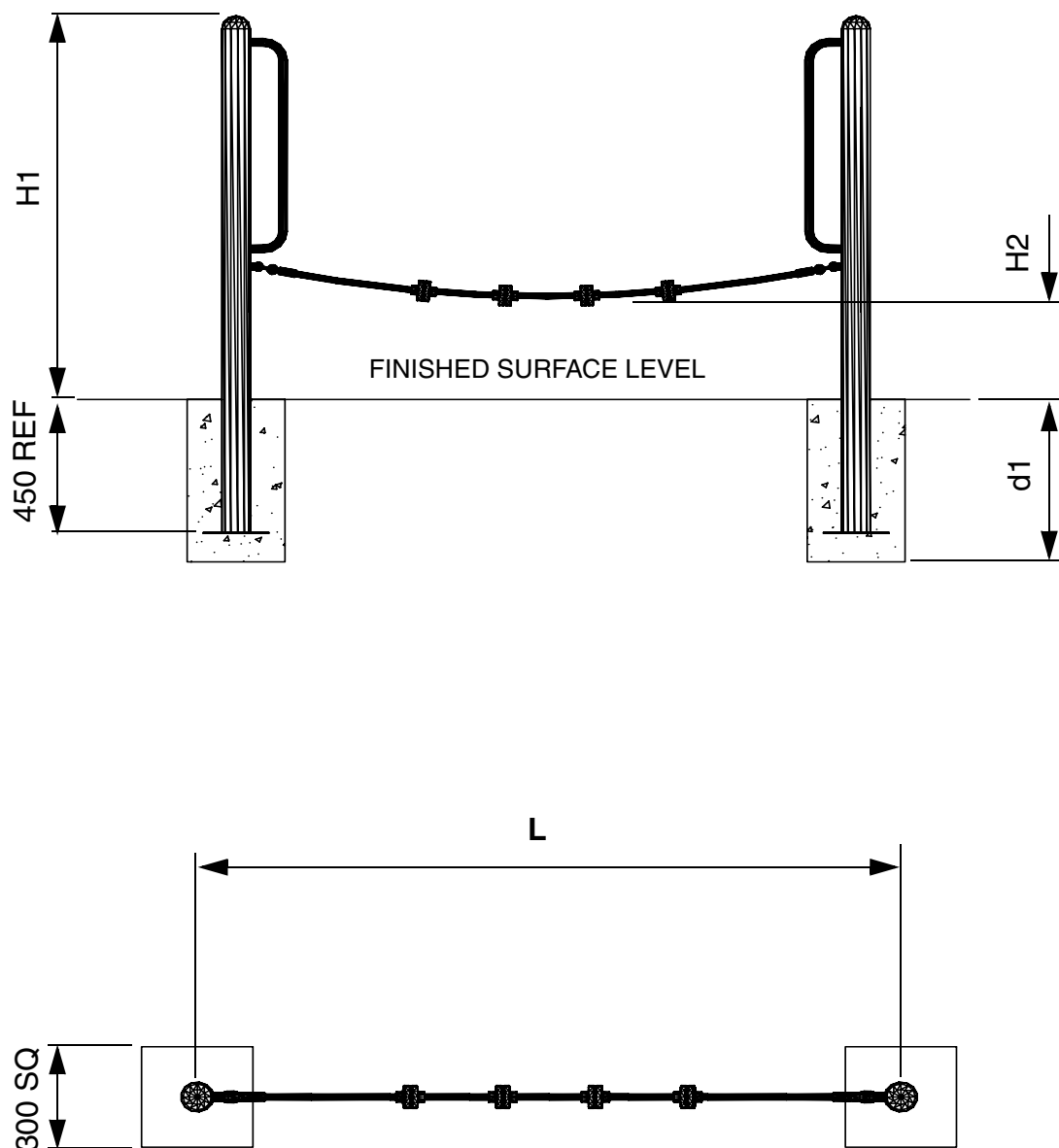
The freefall height of the rope is less than 0.6m and therefore in accordance with EN1176 it does not strictly require impact absorbing surfacing which has been fully tested to EN1177. However, if it is being installed on hard surfaces such as concrete or tarmac, we recommend that a minimum surfacing area as indicated in the chart above is specified to enhance the safety of its provision. If it is being provided on a grass surface, a suitable level of maintenance will be required to ensure the impact attenuation properties are not significantly reduced.

Constructional Space (shown in the above table) is the approximate working area required to layout and assemble the equipment.

For the safe operation of this equipment it must be installed on horizontal ground with the required minimum space. The concrete foundations indicated are for average ground. Care should be taken concerning abnormal conditions.

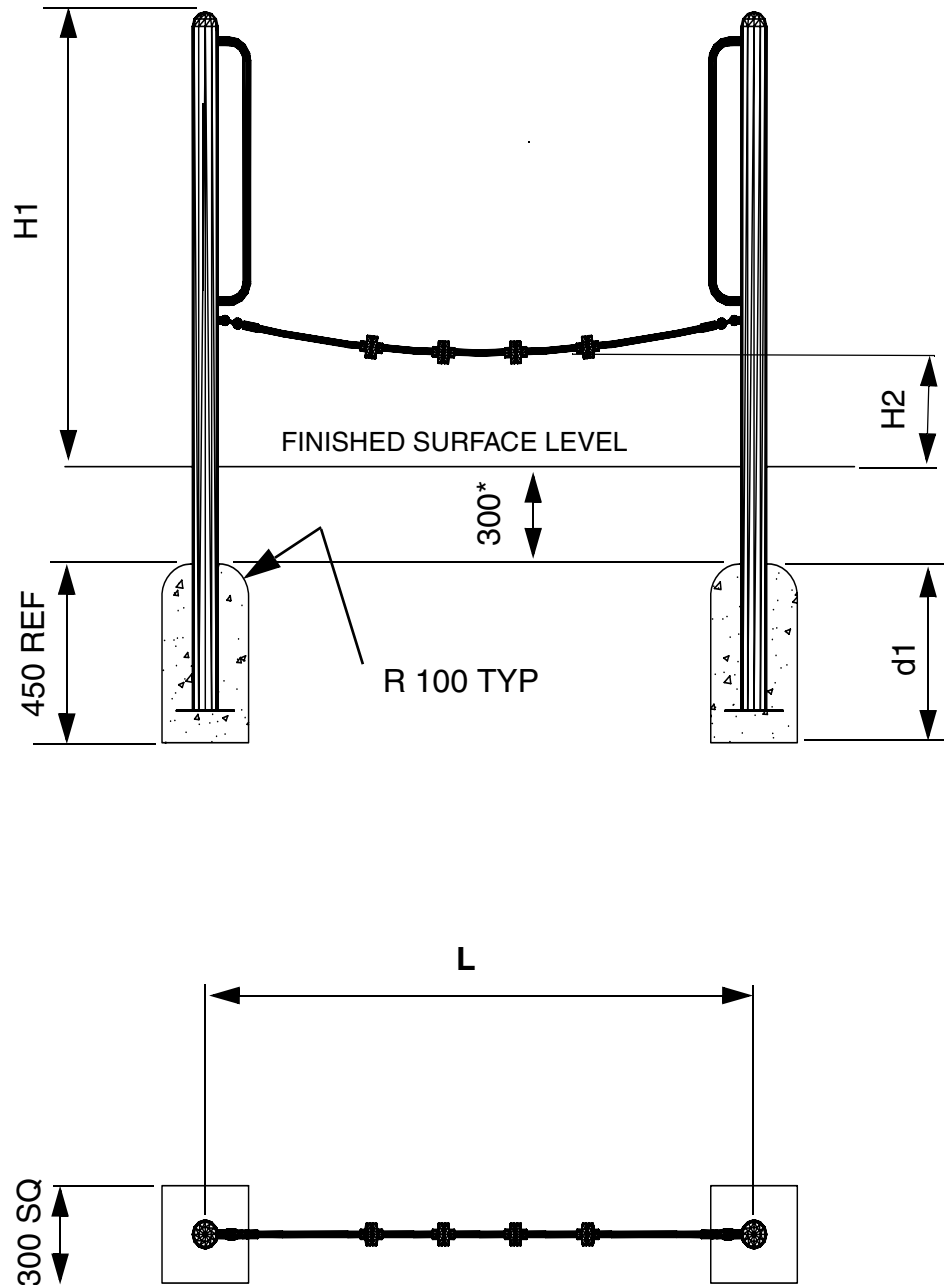
Tools: Plumblines, 5m tape measure, Spirit level, M10 Torx tool (supplied with unit), Socket wrench, P.T.F.E tape (supplied by others).

Minimum Personal Protective Equipment:- Gloves, Armoured boots, Protective goggles.



STANDARD INSTALLATION - PCRWK

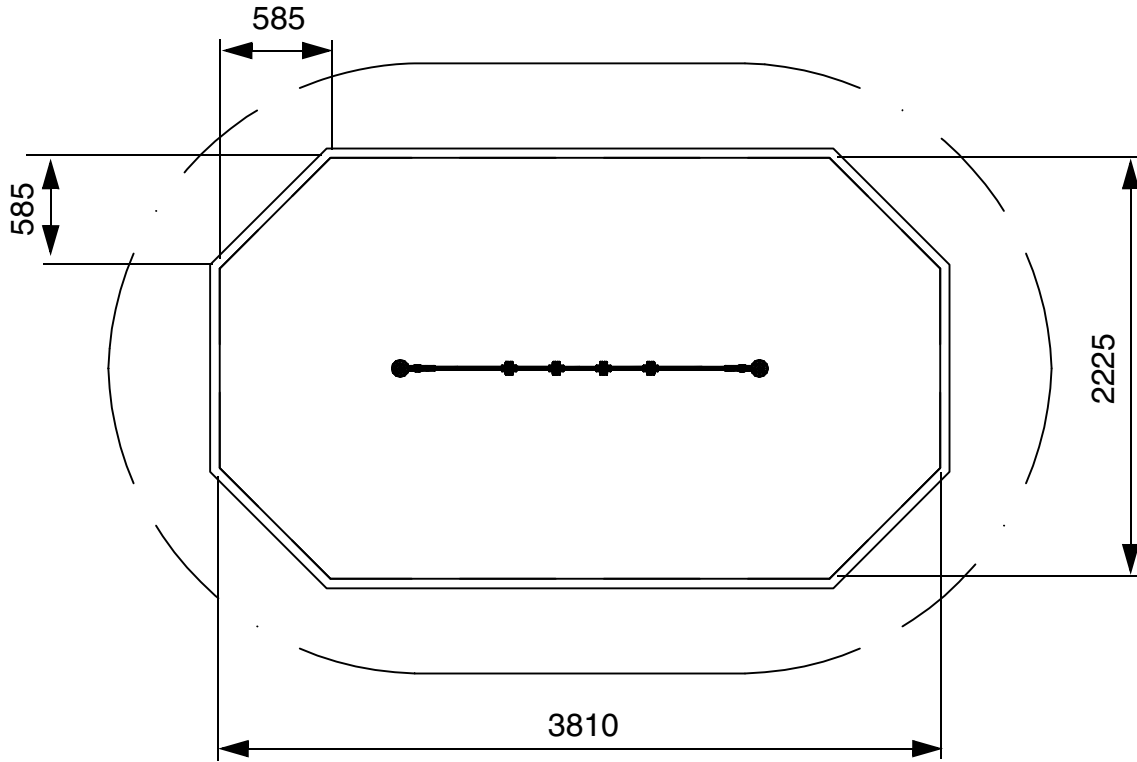
FIG.1



LOOSE FILL INSTALLATION - PCRWKE

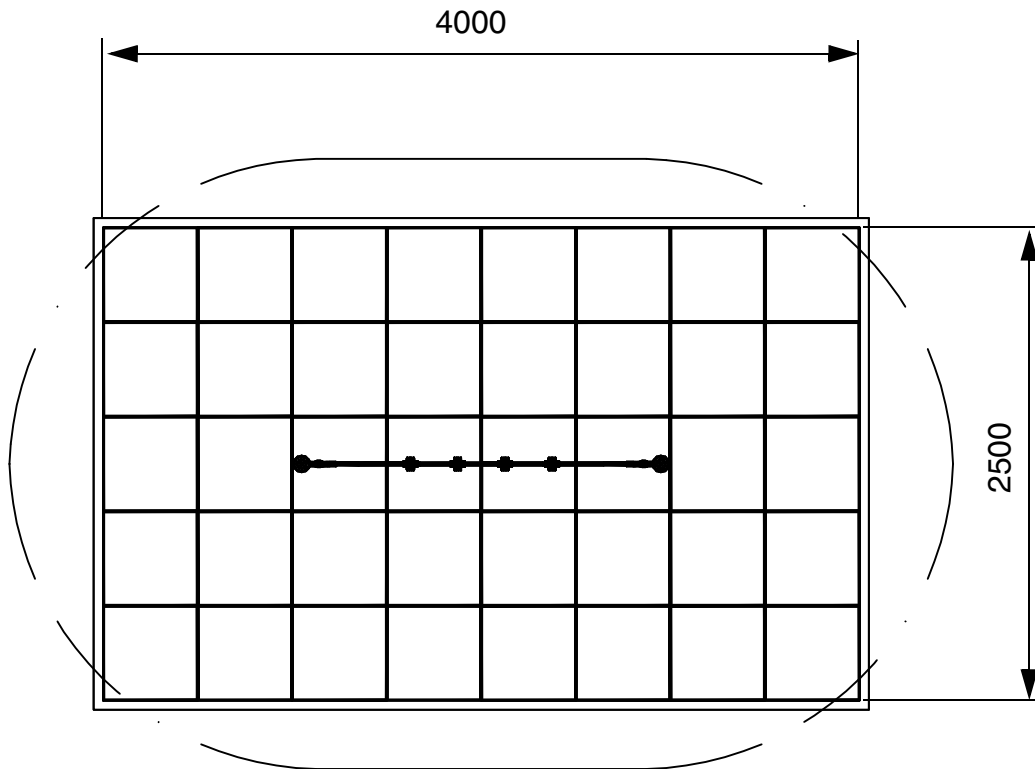
FIG.2

***NOTE:** Generally, it is recommended that loose fill surfaces are installed to a depth of 300mm. However with certain loose fill materials, a greater depth may be required. This will need to be determined by allowing 100mm for dispersal in addition to the thickness required to achieve the required critical fall height.



WET POUR AREA

FIG.3



TILED AREA

FIG.4

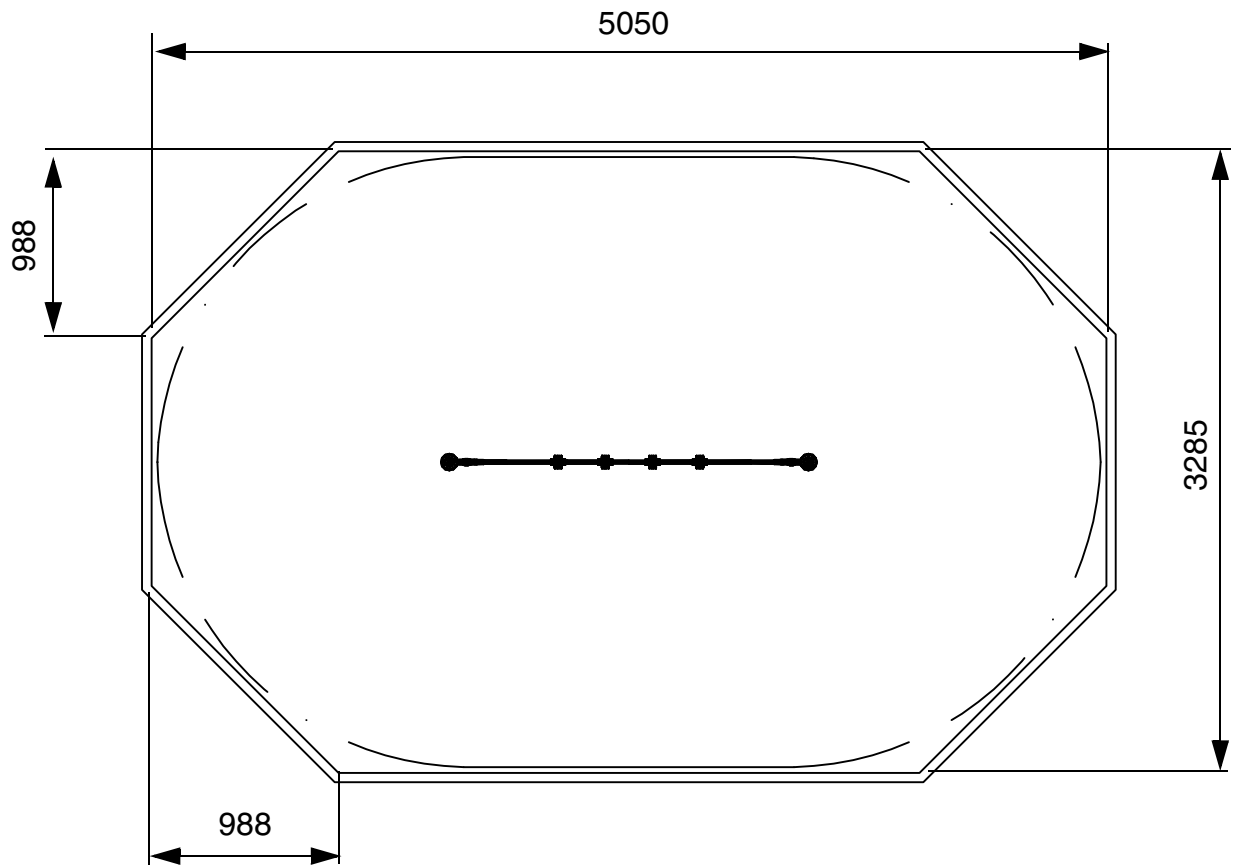


FIG.5

LOOSE FILL AREA

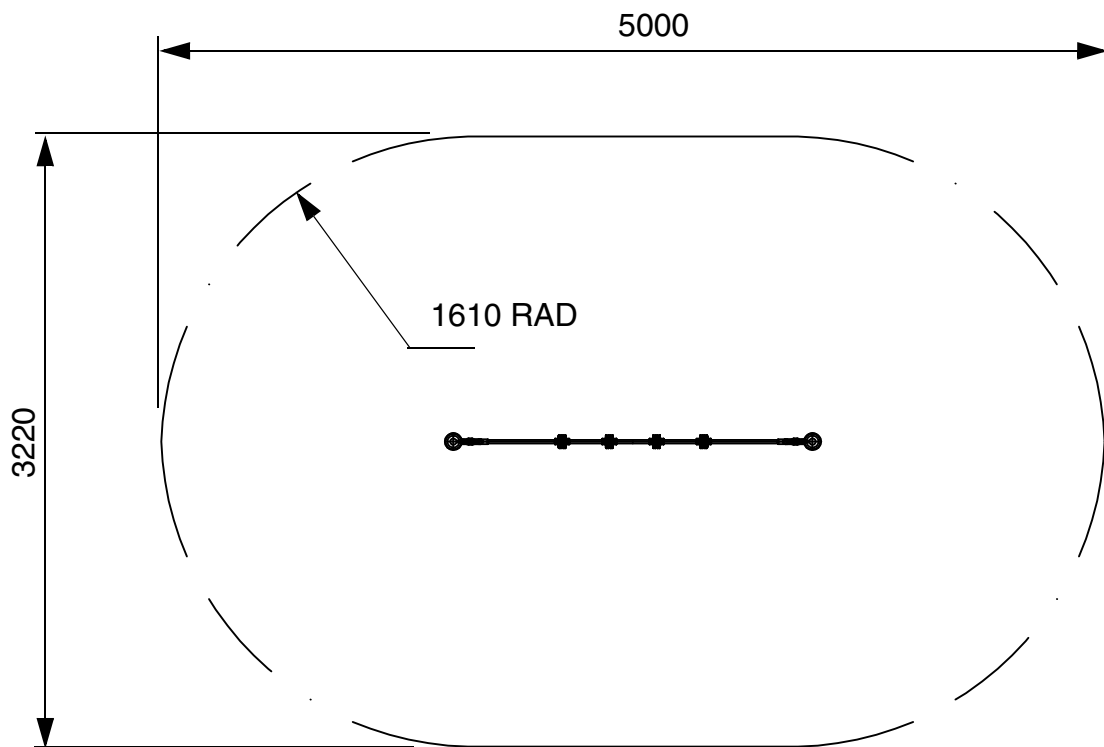


FIG.6

FALLING SPACE

2 PARTS LIST

ITEM	CODE	DESCRIPTION	QTY	WEIGHT (kg)
1	30080401	ROPE	1	2.000
2	15711010	EYEBOLT	2	0.150
3	15715000	COUPLING LINK	2	0.100
STANDARD				
4	30080101	SUPPORT POST	2	16.500
LOOSE FILL				
4	30080101E	SUPPORT POST	2	19.500

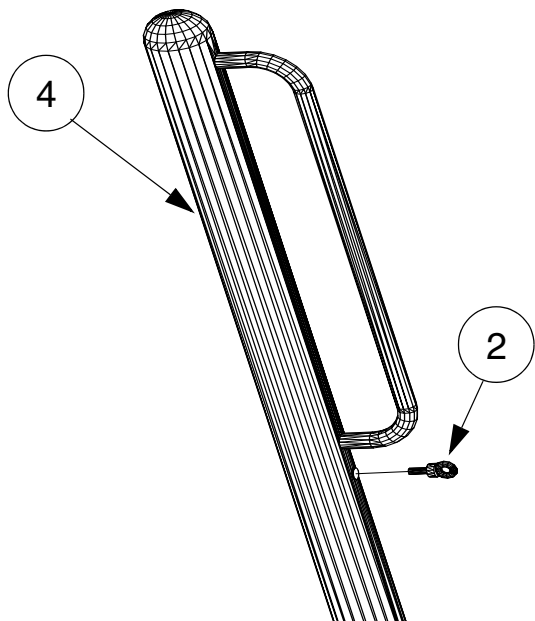


FIG.7

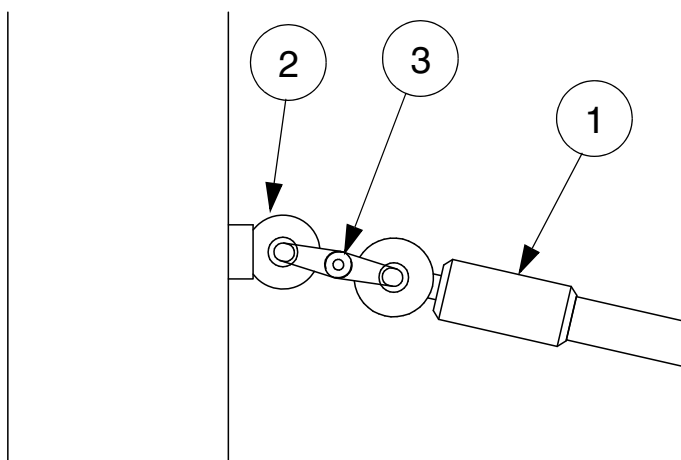


FIG.8

3 INSTALLATION PROCEDURES.

- i) Before commencing installation the surrounding area must be sufficiently fenced and signs erected to warn the public of the risk of injury.
- ii) Mark out foundations and excavate holes. (refer to site plan for unit location)
- iii) Place support posts into excavation, pack up to required height.
- iv) Check that the support posts are plumb and at correct height, and centres, this is important to achieve the board setting height H2. (See note on page 1)
- v) Fill holes with concrete ensure full volume of concrete is used. The top of the concrete should gradually (1:100) slope down & outwards locally from the equipment frame to the required level to form a water shed. Allowance should be made for any special surfacing.
- vi) Keep installation off limits to the public until concrete has completely cured. (Recommended initial curing time 48hrs).
- vii) After concrete has completely cured screw eyebolts (item 2) into mounting holes in support posts ensuring a full engagement of thread. Note required orientation and use P.T.F.E tape on eyebolt threads before assembly. FIG.7.
- viii) Attach rope (item 1) to support posts (item 4) using 2 off coupling links (item 3). FIG.8.

4 POST INSTALLATION INSPECTION

CHECK**CHECK**

- | | | |
|---|---|--------------------------|
| 1 | The unit is installed at the correct height. | <input type="checkbox"/> |
| 2 | All fixings are tightened and have no protruding sharp edges. | <input type="checkbox"/> |
| 3 | Paint work and rope is not damaged. | <input type="checkbox"/> |
| 4 | Concrete foundations & all fixings are secure. | <input type="checkbox"/> |
| 5 | Concrete has a water shed away from legs. | <input type="checkbox"/> |
| 6 | Adequate provision of impact absorbing surfacing and no obstructions or trip points within the equipments falling space. If a grass surface has been selected, ensure it is in good condition with no sharp stones or other contaminates. | <input type="checkbox"/> |
| 7 | Site is clear of all tools, any assembly aids and rubbish. | <input type="checkbox"/> |
| 8 | Remove any warning signs. | <input type="checkbox"/> |

INTENTIONALLY LEFT BLANK