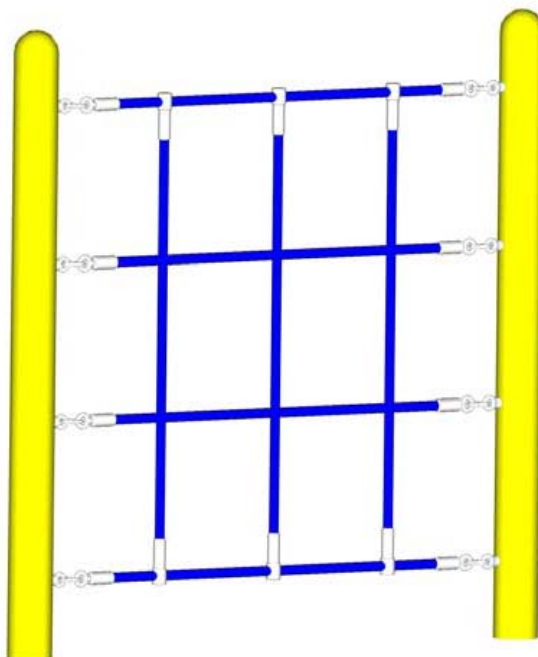


INSTALLATION INSTRUCTIONS
LITTLE CLIMBING NET
PCNET, PCNETE



INTENTIONALLY LEFT BLANK

1 SPECIFICATIONS

REFERENCE		STANDARD	LOOSE FILL
		PCNET	PCNETE
OVERALL HEIGHT (H)	m	1.200	
EXCAVATION DEPTH (d1)	m	0.550	
OVERALL LENGTH (L)	m	1.15	
WEIGHT	kg	33.00	38.00
HEAVIEST PART	kg	14.00	16.50
LARGEST PART LxWxH	m	0.13 X0.13 X 1.65	0.13 X0.13 X 1.95
CONCRETE	m ³	0.100	
MINIMUM SPACE LxWxH	m	4.24 X 3.09 X 2.90	
MAX FREEFALL HEIGHT	m	1.10	
FALLING SPACE AREA	m ²	11.05	
IMPACT AREA (WET POUR)	m ²	11.5	
IMPACT AREA PCC EDGE	m	13	
LOOSE FILL AREA (SAND/BARK)	m ²		11.5
LOOSE FILL AREA EDGE	m		13
RUBBER TILES 1m x 1m		14	
RUBBER TILES PCC EDGE	m	14	
MANHOURS	hr	2	
MANPOWER		2	
CONSTRUCTIONAL SPACE	m	2 X 2	

NOTE: All dimensions in metres.

Concrete mix is recommended at:
 1 part cement;
 2 parts sand;
 4 parts aggregate;
 by volume with 20mm aggregate
 (20 N/mm² min compressive strength)

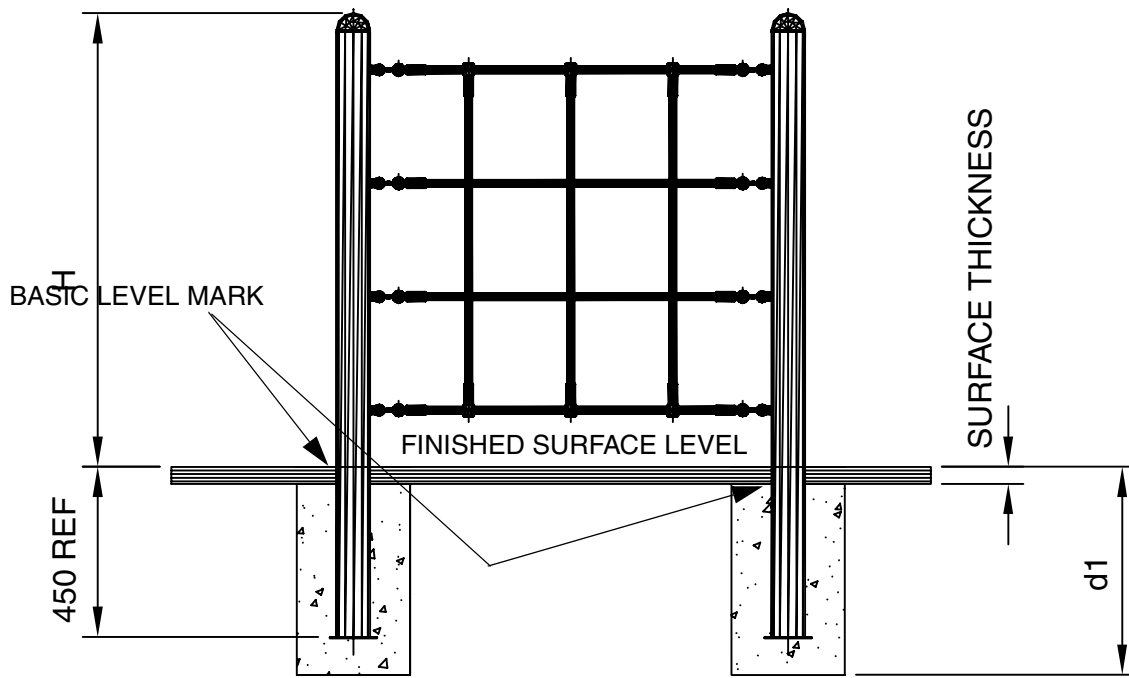
SMP Playgrounds Ltd recommends an effective *Impact Absorbing Surface tested to EN1177 & BS7188* beneath **all** play equipment. Refer to manufacturers instructions for details of installation. The surface should have a Critical Fall Height greater than the Maximum Freefall Height of the equipment.

Constructional Space (shown in the above table) is the approximate working area required to layout and assemble the equipment.

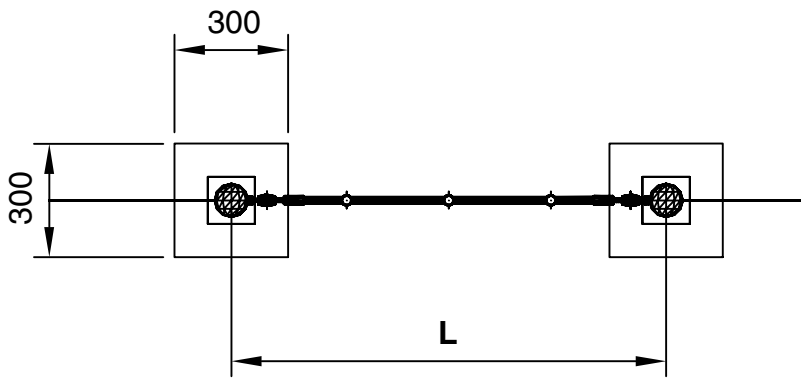
For the safe operation of this equipment it must be installed on horizontal ground with the required minimum space. The concrete foundations indicated are for average ground. Care should be taken concerning abnormal conditions.

Tools: Plumblines, 5m tape measure, Spirit level.

Minimum Personal Protective Equipment:- Gloves, Armoured boots, Protective goggles.

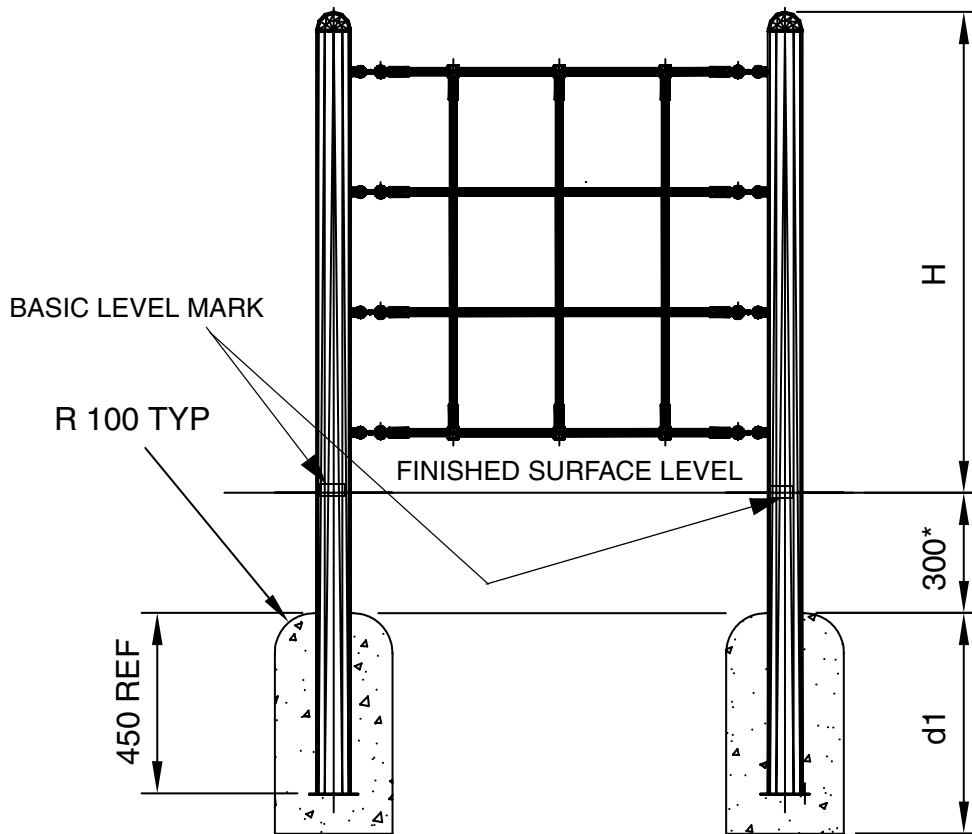


ALL DIMENSIONS IN MM



STANDARD INSTALLATION - PCNET

FIG.1



ALL DIMENSIONS IN MM

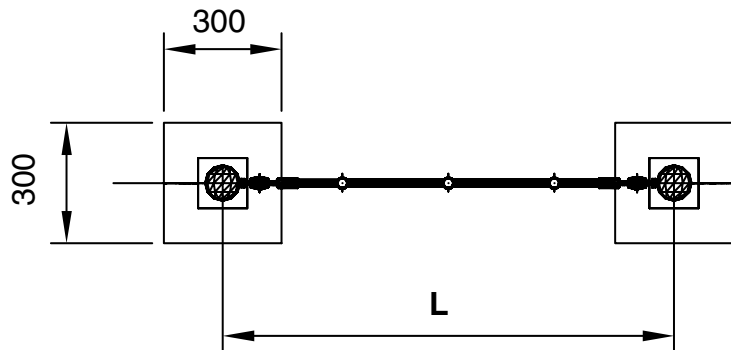
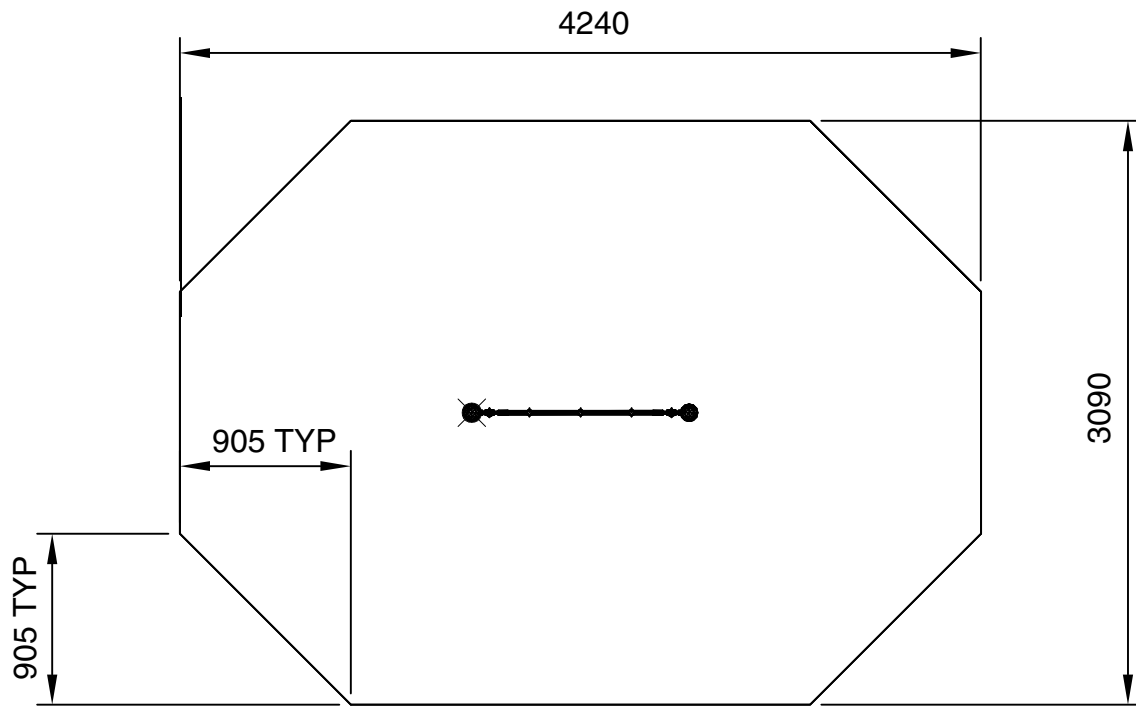


FIG.2 LOOSE FILL INSTALLATION - PCNETE

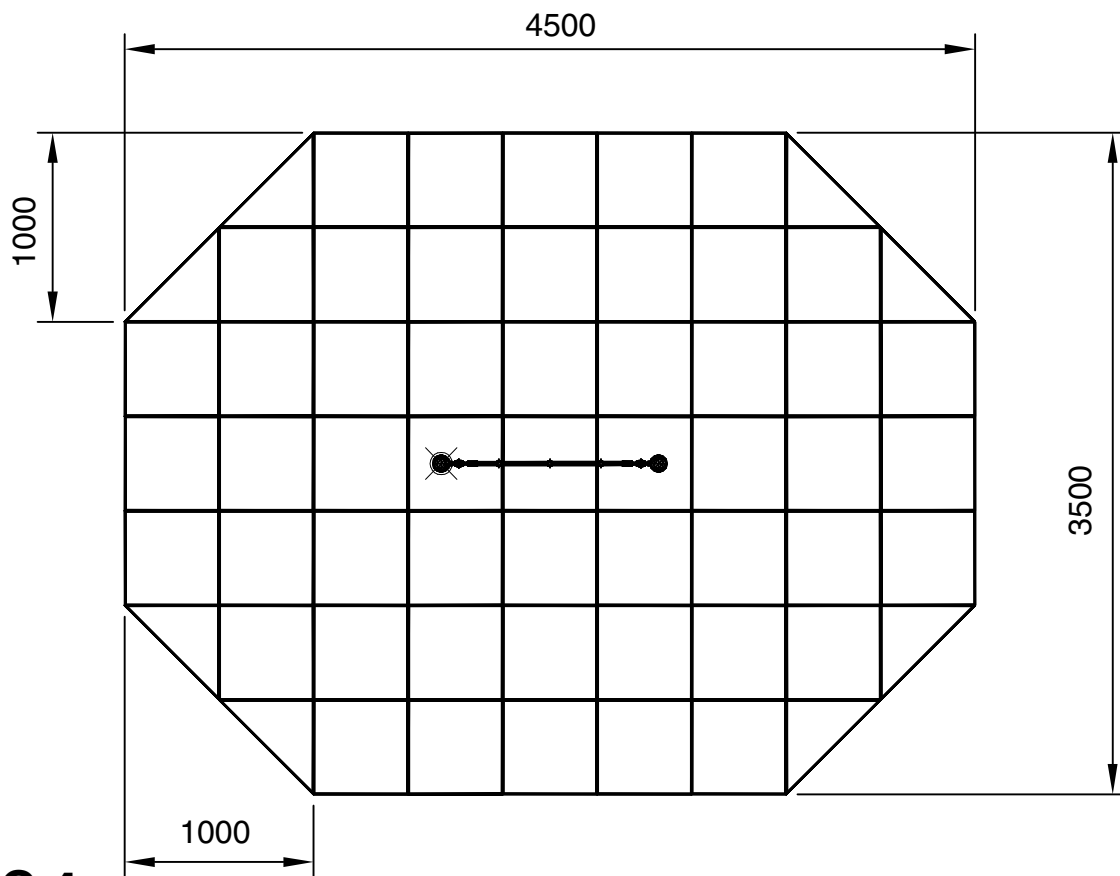
***NOTE:** Generally, it is recommended that loose fill surfaces are installed to a depth of 300mm. However with certain loose fill materials, a greater depth may be required. This will need to be determined by allowing 100mm for dispersal in addition to the thickness required to achieve the required critical fall height.

ALL DIMENSIONS IN MM



WET POUR AREA

FIG.3



TILED AREA

FIG.4

ALL DIMENSIONS IN MM

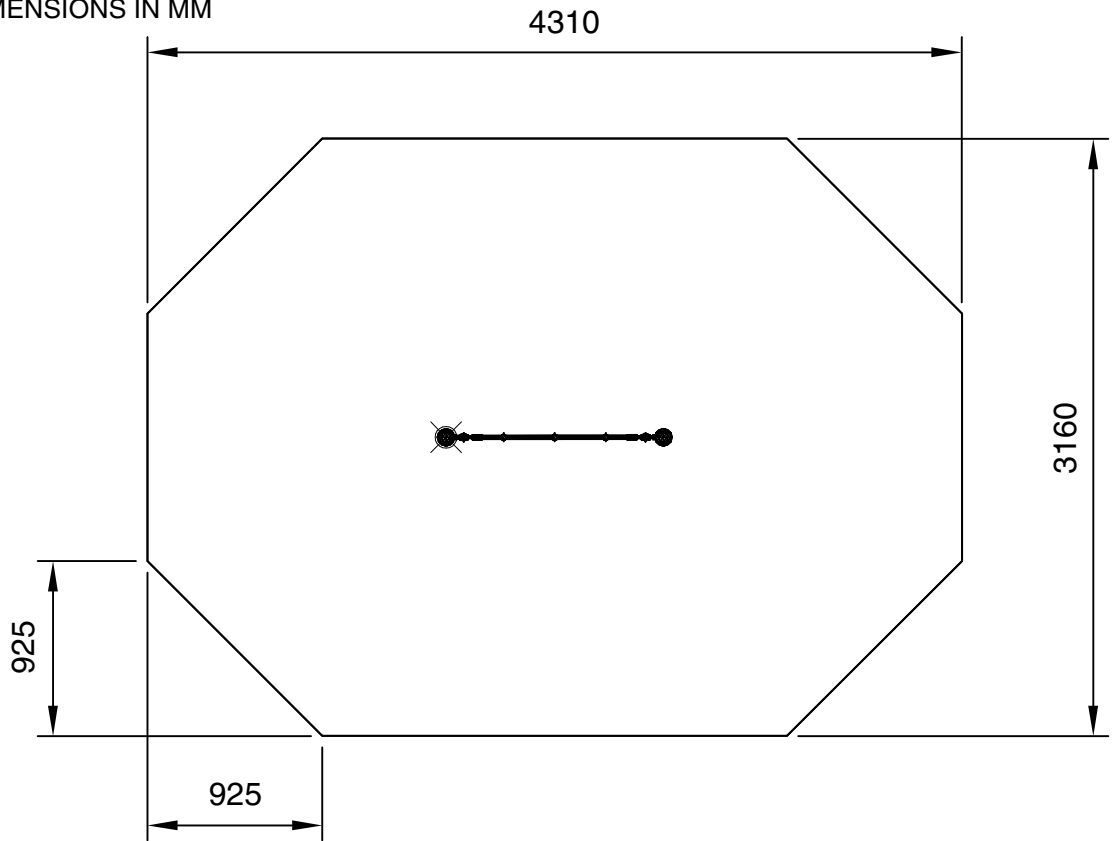


FIG.5

LOOSE FILL AREA

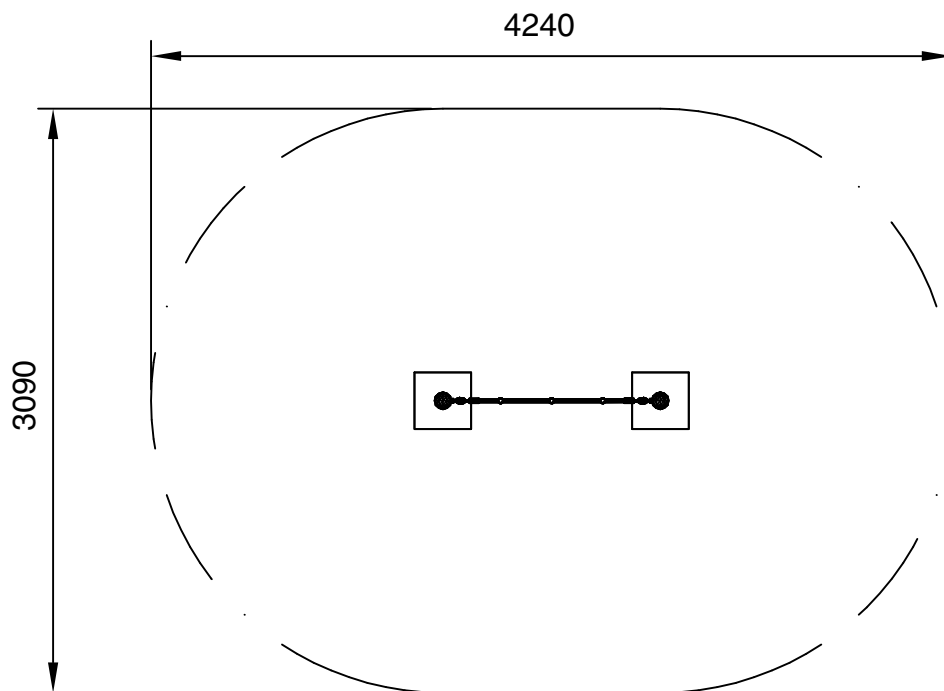


FIG.6

FALLING SPACE

2 PARTS LIST

ITEM	CODE	DESCRIPTION	RUBBER SURFACE	LOOSE FILL	WEIGHT (kg)
1	30070101	SUPPORT POST	2		14.000
	30070301			2	16.500
2	30070501	CLIMB NET	1		4.000
3	15715000	COUPLING LINK	8		0.100

3 INSTALLATION PROCEDURES.

- i) Before commencing installation the surrounding area must be sufficiently fenced and signs erected to warn the public of the risk of injury.
- ii) Mark out foundations and excavate holes. (refer to site plan for unit location)
- iii) Place support posts (item 1) into excavation, pack up to required height.
- iv) Check that the support posts are plumb and at correct height, centres and that the eyebolts face in the correct direction. (Towards each other).
- v) Fill holes with concrete ensure full volume of concrete is used. The top of the concrete should gradually (1:100) slope down & outwards locally from the equipment frame to the required level to form a water shed. Allowance should be made for any special surfacing. (For Loose fill surfaces refer to FIG.2).
- vi) Keep installation off limits to the public until concrete has completely cured. (Recommended initial curing time 48hrs).
- vii) After concrete has completely cured attach the Climb Net (item 2) to the support posts using 8 off Coupling Links (item 3). FIG.7.

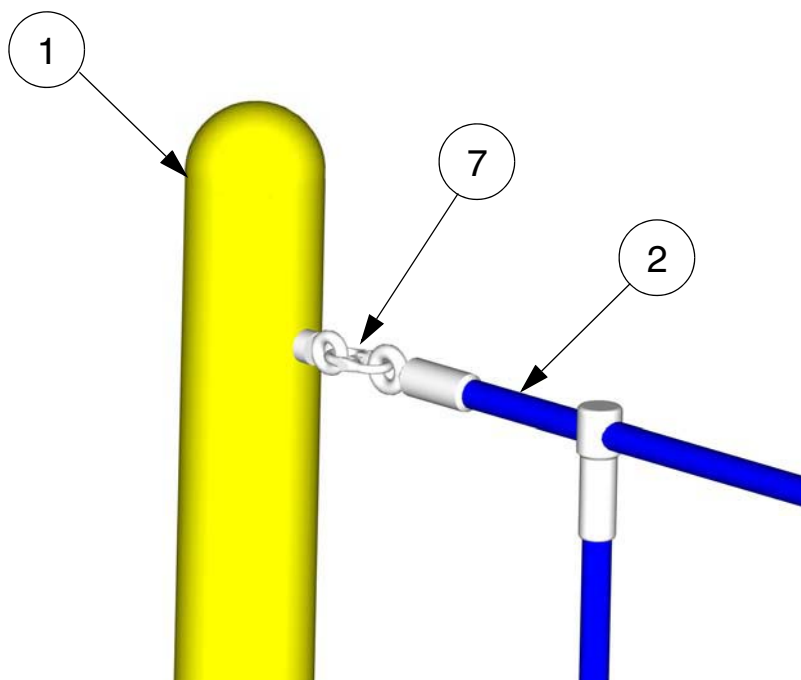


FIG.7

4 POST INSTALLATION INSPECTION

CHECK	CHECK	✓
1 The unit is installed at the correct height.	<input type="checkbox"/>	<input type="checkbox"/>
2 All fixings are tightened and have no protruding sharp edges.	<input type="checkbox"/>	<input type="checkbox"/>
3 Paint work and ropes are not damaged. (Any making good should be carried out using the procedure in the Inspection and Maintenance instructions).	<input type="checkbox"/>	<input type="checkbox"/>
4 Concrete foundations & all fixings are secure.	<input type="checkbox"/>	<input type="checkbox"/>
5 Concrete has a water shed away from legs.	<input type="checkbox"/>	<input type="checkbox"/>
6 Adequate provision of impact absorbing surfacing and no obstructions or trip points within the equipments falling space.	<input type="checkbox"/>	<input type="checkbox"/>
7 Site is clear of all tools,any assembly aids and rubbish.	<input type="checkbox"/>	<input type="checkbox"/>
8 Remove any warning signs.	<input type="checkbox"/>	<input type="checkbox"/>

INTENTIONALLY LEFT BLANK