

6' (1830mm) HERITAGE PARK BENCH W/O BACK

200200848

AUTHORIZED BY:
Eric Moore
30AUG07

Item	Code	Description	Qty.
1	-	6' HERITAGE SEAT	2
2	-	FRAME F/HERITAGE BENCH W/O BACK ING	2

HDWR BAG F/HERITAGE BENCH W/O BACK
200158853

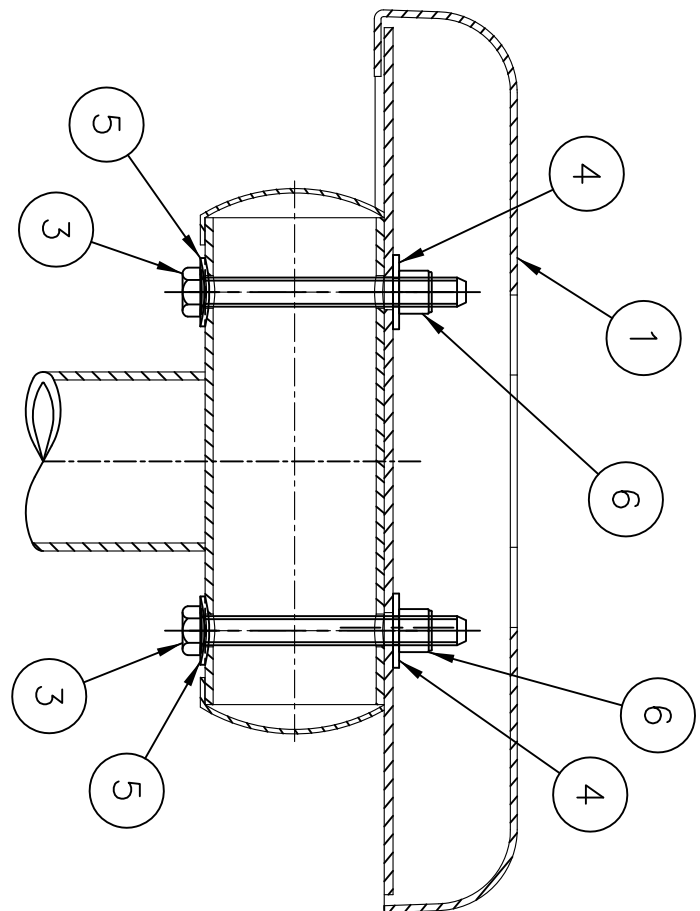
3	200000493	BOLT HEX S.S. 3/8"-16 X 3-1/2"	4
4	200013133	WASHER FLAT 3/8 SS (3/4 O.D.)	4
5	200008483	WASHER BOWED M11 23.5 X 11.7 X 1.5MM	4
6	200013363	NUT NYLOCK 3/8-16 SS	4

Application

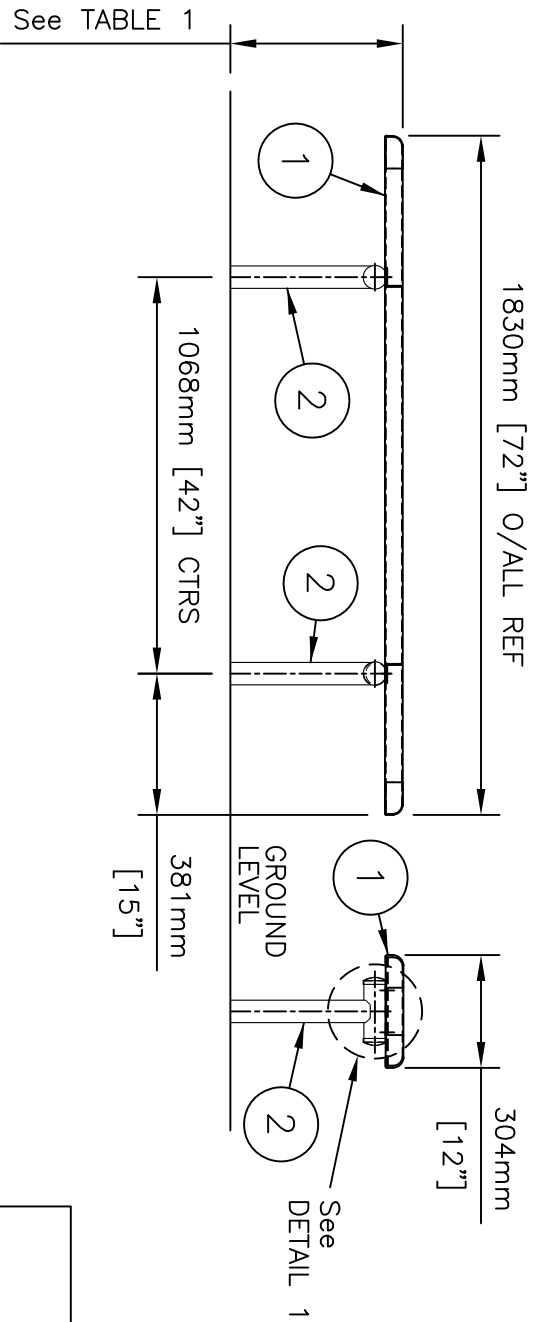
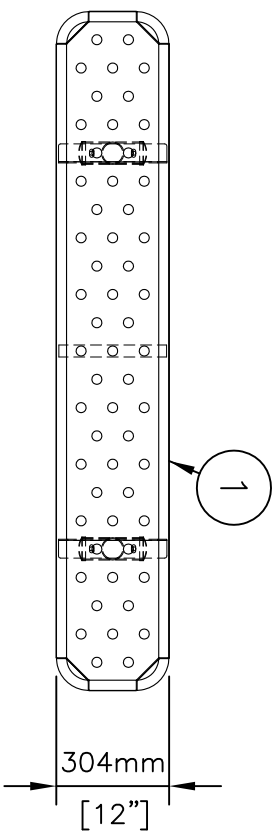
- Must be installed outside playground use zone
- No resilient surfacing required

Installation Instructions

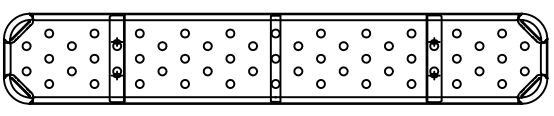
1. Prepare footings, refer to Inground Footing Detail.
2. Attach seat (Item 1) to frames (Item 2) as shown in DETAIL 1.
3. Complete Footings and Tighten all hardware.



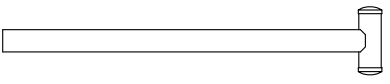
DETAIL 1
TYP 4 PL



See TABLE 1



2



Inground Mount

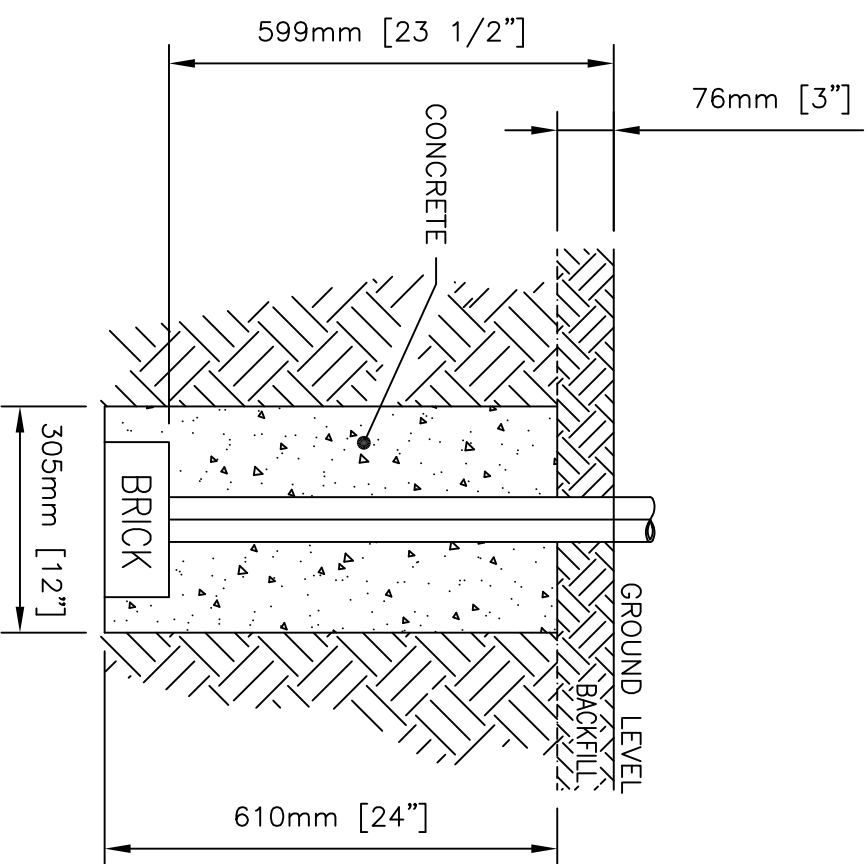


TABLE 1

Type	Seat Height
Inground	464mm [18 1/4"]

INGROUND FOOTING DETAIL