



commercial play systems

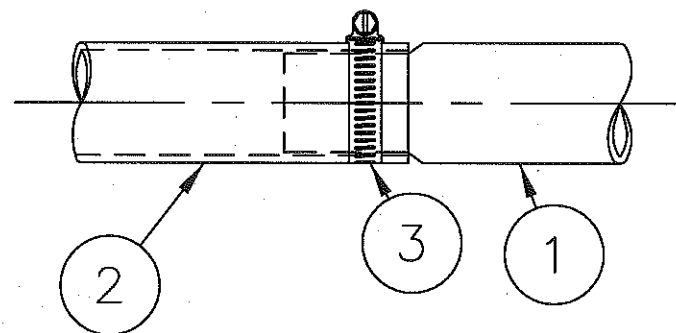
TALK TUBE F/S INGRND 305

200058826

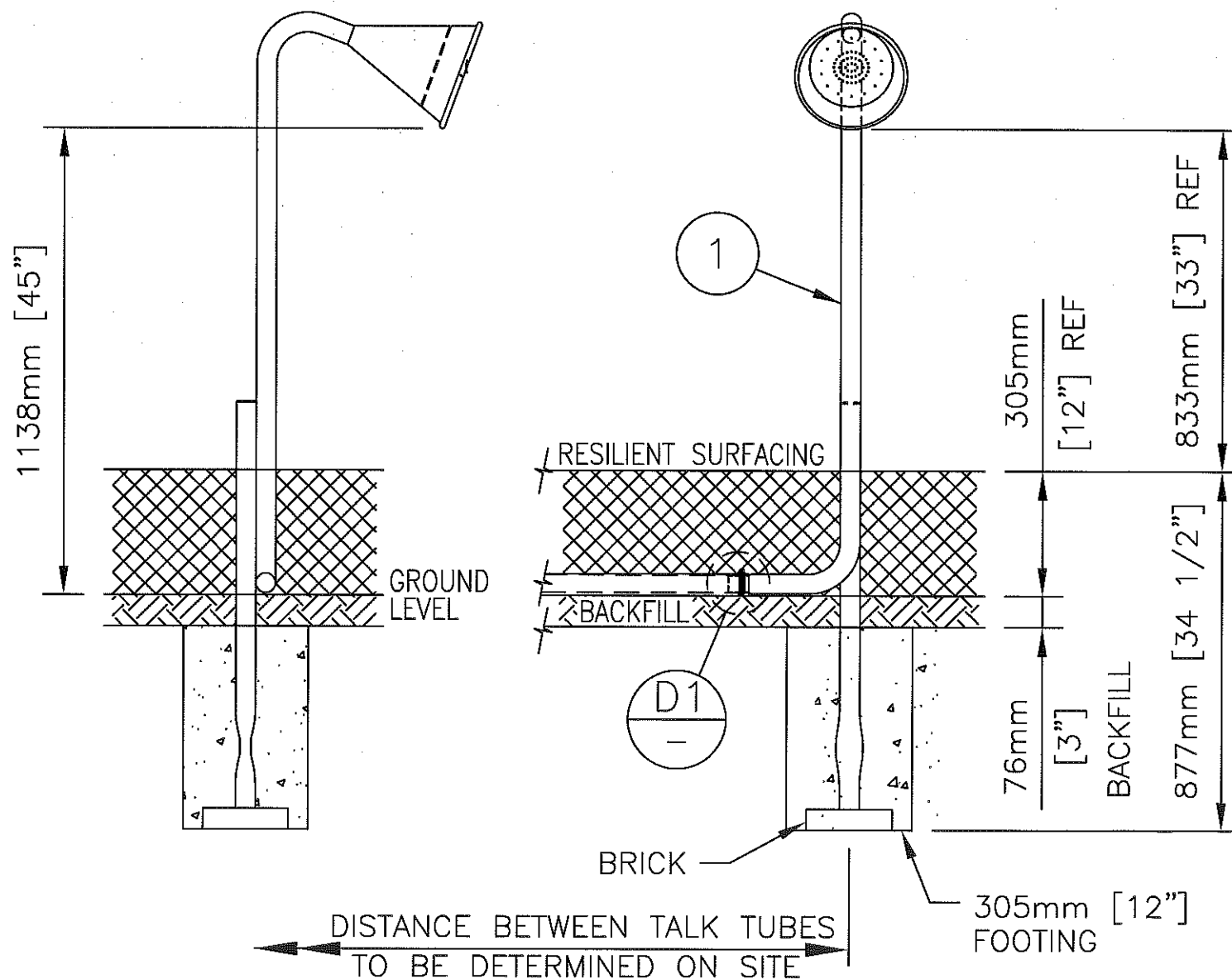
IP00007D

Sheet 1 of 1

AUTHORIZED BY:
[Signature] 31OCT05



DETAIL A



NOTE: THE TALK TUBES MAY BE INSTALLED LOWER TO THE GROUND IF DESIRED, HOWEVER A TRENCH MAY HAVE TO BE DUG FOR THE HOSE.

FREE STANDING TALK TUBES

200058825

Item	Code	Description	Qty.
1	-	TALK TUBE FREE STANDING	2
2	200008697	HOSE POLYETHYLENE 1-1/2" I.D. X 50' BLK	1
3	200009639	CLAMP GEAR STAINLESS 1.5 PIPE	2

Application

- For ages 2-12 years
- A resilient ground covering is required under and around all play events.

Installation Instructions

- Determine the location of the talk tube stations. Dig two $\varnothing 305$ footing holes 877mm deep as shown. (Depth is measured from the top of the ground level. Refer to diagram.)
- Attach the connecting hose (item 2) to the talk tubes (item 1) with the clamps (item 3) as shown in Detail A.
- Place the legs of the talk tubes (item 1) in the footing holes, and adjust until the station is level and plumb. Fill the footing holes with concrete. Stop pouring when the concrete is 76mm [3 in] below the top of ground level. Protect the talk tubes until the concrete is set (approximately 24 hours).
- Do a final inspection and ensure everything has been properly assembled. Install resilient surfacing under and around the assembled talk tube.

