

BEFORE INSTALLING PLEASE READ INSTRUCTIONS THOROUGHLY

SITE REQUIREMENTS:

This play event is designed to suit a level site. Should there be any slopes on the site, care should be taken to accommodate the entry and exit points and to maintain the correct heights.

The site must be checked for adverse or unusual conditions. i.e.

- 1) Exposed, cracked or loose concrete footings.
- 2) Worn, scattered or compressed surface material.
- 3) Exposed roots, rocks or other environmental obstacles that form potential trip hazards.
- 4) Broken glass, refuse, or foreign objects around and on play equipment.
- 5) Poor drainage areas.
- 6) All sites especially those close to existing buildings must be checked for electrical or gas lines and drainage before digging.

MAINTENANCE:

As the owner, it is most important that you are aware of your responsibility for the safe use of your new play equipment. It is necessary to install equipment correctly according to the installation instructions provided and inspect the equipment regularly at intervals specified within the "Maintenance Manual," located in your maintenance kit. During inspection, if any part is found to be damaged or excessively worn, equipment should immediately be put out of service while the part is replaced. Lack of "maintenance" will result in premature wear, reduced life expectancy and possible failure.

This unit is manufactured by Little Tikes Commercial Play Systems who have designed and engineered to meet all applicable safety guidelines, but if installed improperly, problems may occur such as: protruding hardware, entrapment gaps between 89mm [3.5"] to 229mm [9"], or string entanglements. Any accessible bolt ends that protrude beyond the face of the nut by more than two threads should be trimmed and peened smooth by the installer. Once your installation is complete, always inspect your work. Installation must be done in accordance with EN1176.

SAFETY AREAS:

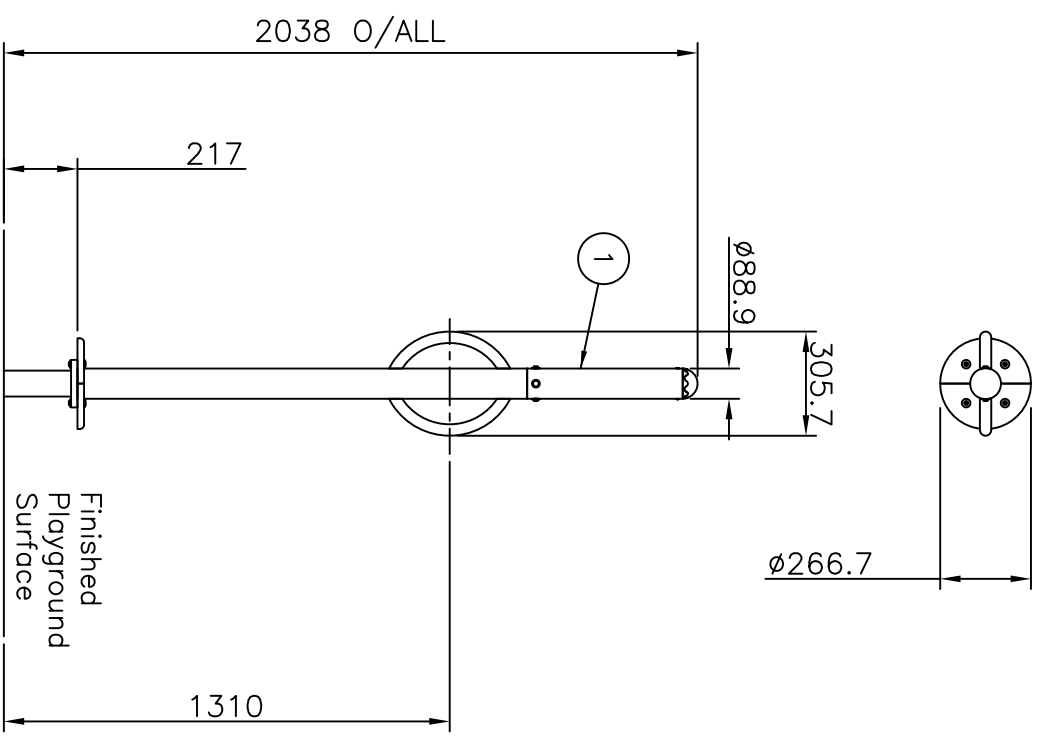
The area immediately surrounding and above the play structure must be free of obstructions such as: buildings, trees, other play equipment, etc., and must be kept clear for entries, exits, traffic and falls. Make sure your site has the required surfacing and fall area designated on your Playground Layout Drawings.

INSTALLATION MANUAL:

We have tried to make this installation manual as comprehensive and factual as possible. Please note from time to time information may be changed or updated. Equipment shown or described throughout this manual may be changed. The right is reserved to make changes at any time without notice.

ALL CHILDREN SHOULD BE SUPERVISED WHILE PLAYING ON EQUIPMENT.

POGO (LIT-POGO)



Item	Code	Description	Qty.
1	-	LIT-POGO	1

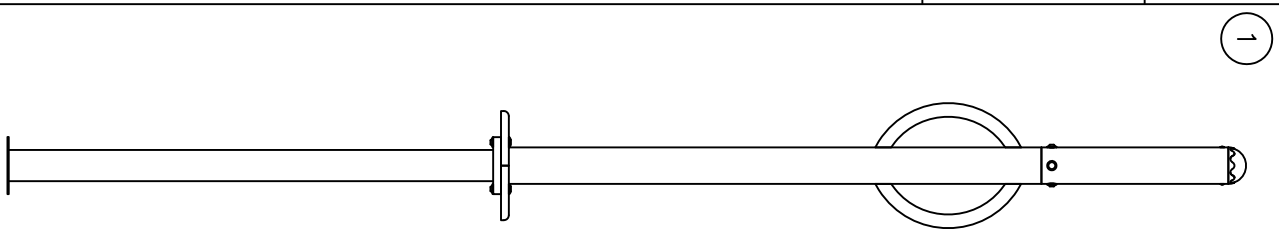
Application
- Intended for users age 5 to 12 years

Installation Instructions

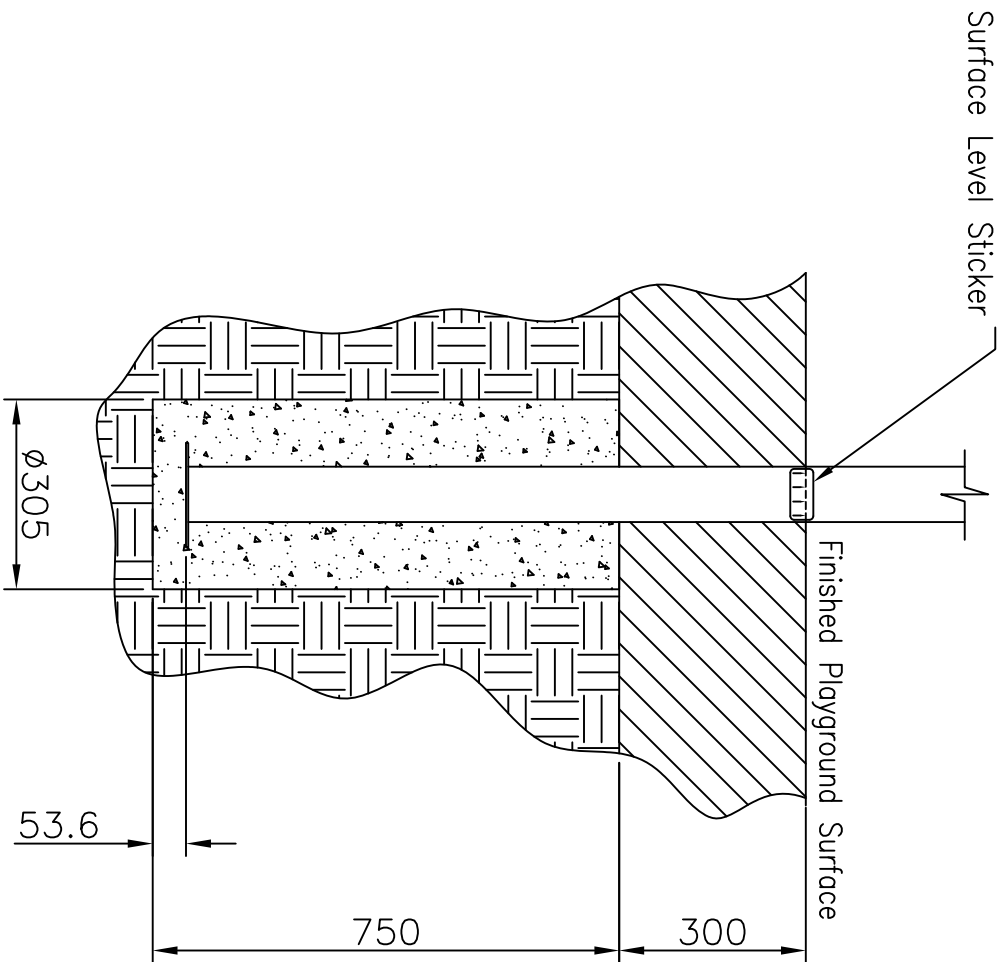
1. Locate and Prepare footing.
2. Install POGO at correct height
3. Complete footing and install resilient surfacing.

*** NOTE:**

Generally, it is recommended that loose fill surfaces are installed to a depth of 300mm. However with certain loose fill materials, a greater depth may be required. This will need to be determined by allowing 100mm for dispersal in addition to the thickness required to achieve the required critical fall height.

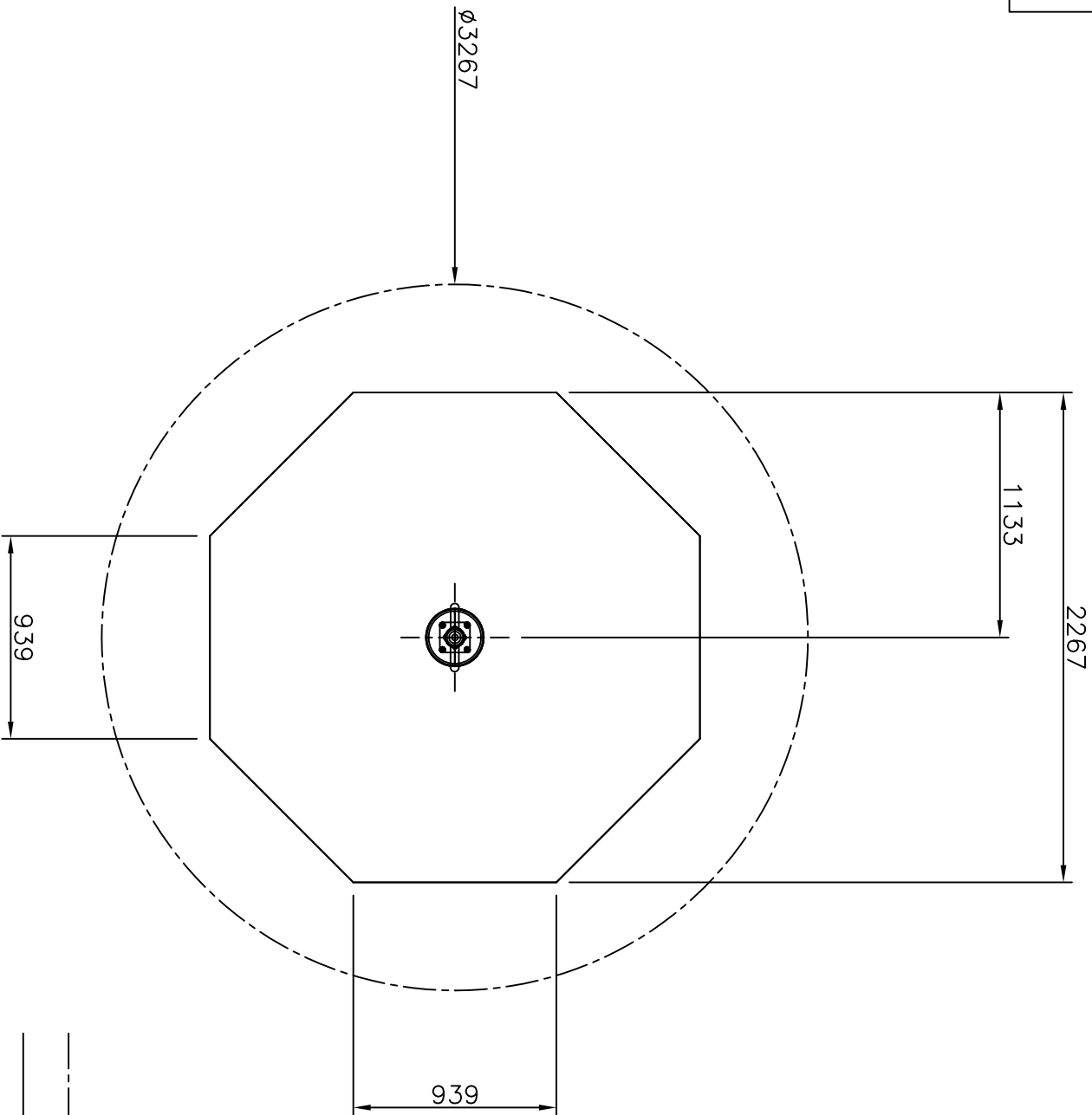


**CONCRETE
FOOTINGS**



- Fill holes with concrete to required level, taking into account any safer surfacing requirements. Ensure full volume of concrete is used. The top should slope down & outwards locally from the equipment upstand to the required level to form a water shed.
- Keep installation off limits to the public until, concrete has completely cured. (Recommended initial curing time 48hrs).

SURFACE
LAYOUT



--- FALLING SPACE
— WET POUR AREA